

## Platinum Resistance Temperature Detector

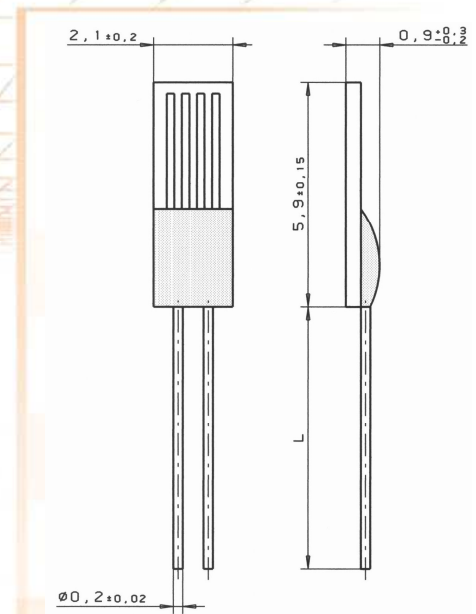
M 622

M series PRTDs are designed for large volume applications where long term stability, interchangeability and accuracy over a large temperature range are vital. Due to the high resistance values of 1000 Ω and 2000 Ω the signal gain is excellent. Typical applications are found in Automotive, White goods, HVAC, Medical and Industrial equipment.

Nominal Resistance $R_0$	Tolerance	Order No. Plastic bag
1000 Ohm at 0°C	DIN EN 60751, class B	32 208 181
2000 Ohm at 0°C	DIN EN 60751, class B	32 208 541

The measuring point for the nominal resistance is defined at 8 mm from the end of the sensor body.

<b>Spezifikation</b>	DIN EN 60751 (according to IEC 751)	
<b>Temperature range</b>	-70°C to +500°C (continuous operation) (temporary use to 550 °C possible) Tolerance class B: - 70 °C to + 500 °C	
<b>Temperature coefficient</b>	TCR = 3850 ppm/K	
<b>Leads</b>	Pt clad Ni wire Recommend connection technology: Welding, Crimping and Brazing	
<b>Lead lengths (L)</b>	10 mm +- 1 mm	
<b>Longterm stability</b>	max. $R_0$ -drift 0.04% after 1000 h at 500 °C	
<b>Vibration resistance</b>	at least 40 g acceleration at 10 to 2000 Hz, depends on installation	
<b>Shock resistance</b>	at least 100 g acceleration with 8ms half sine wave , depends on installation	
<b>Environmental conditions</b>	unhoused for dry environments only	
<b>Insulation resistance</b>	> 100 MΩ at 20 °C; > 2 MΩ at 500 °C	
<b>Self heating</b>	0.3 K/mW at 0 °C	
<b>Response time</b>	water current (v = 0.4 m/s):	$t_{0.5} = 0.08$ s $t_{0.9} = 0.25$ s
	air stream (v = 2 m/s):	$t_{0.5} = 3,7$ s $t_{0.9} = 11,5$ s
<b>Measuring current</b>	0.1 mA to 0.3 mA (self heating has to be considered)	
<b>Note</b>	Other tolerances, values of resistance and wire lengths are available on request.	



We reserve the right to make alterations and technical data printed. All technical data serves as a guideline and does not guarantee particular properties to any products.

Heraeus Sensor Technology GmbH, Reinhard- Heraeus- Ring 23, 63801 Kleinostheim, Germany  
Phone: +49 (0) 6181/35-8098, Fax: +49 (0)6181/35-8101, E-Mail: [info.HSND@Heraeus.com](mailto:info.HSND@Heraeus.com) Web: [www.heraeus-sensor-technology.com](http://www.heraeus-sensor-technology.com)