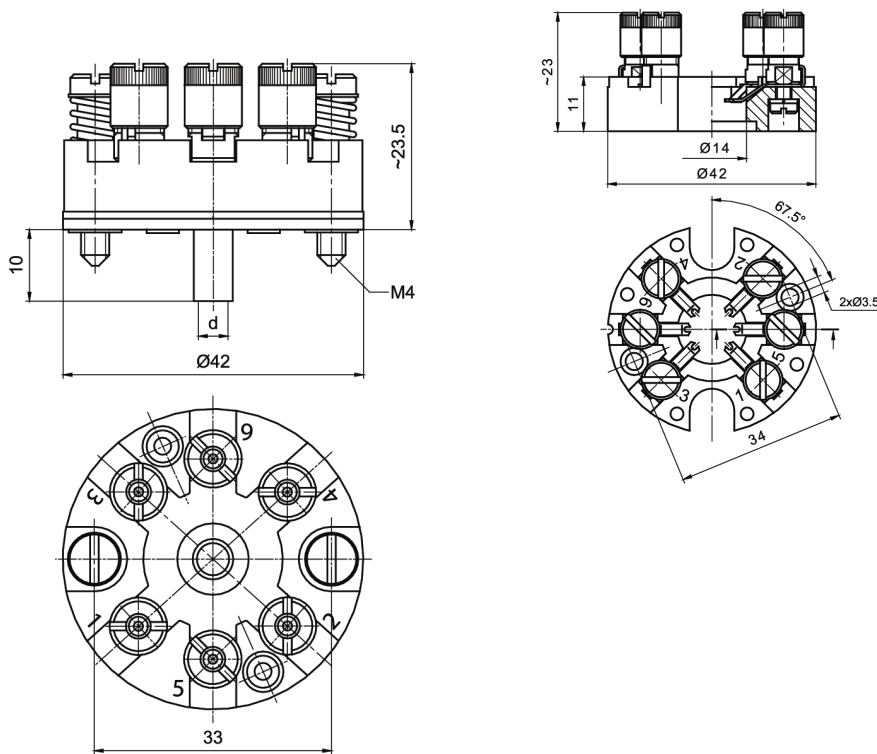
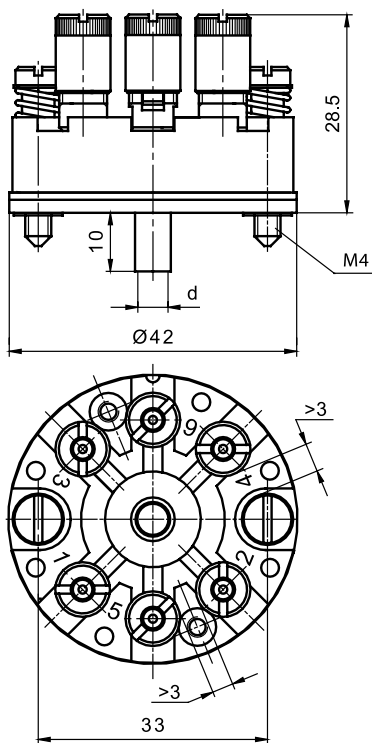


Type Eex terminal blocks



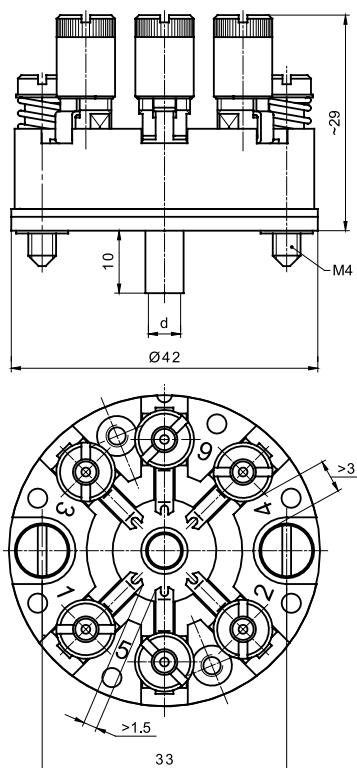
EEx e SPRING LOADED TERMINAL BLOCK type XE-SBd-B10S-G8



Technical data	
Place to install	„B” type connection heads – with 33mm mounting holes spacing
Way of install	Springing fixed to the connection head by M4 screws
Way of connecting with measuring insert	By pressing
Diameter of measuring insert	$d = 3; 4.5; 6; 8$ [mm]
Max. number of terminals	6
Max. Diameter of inside wire	$\varnothing 1.2$ mm
Way of connecting inside wire to the terminals	By screwing
Protection Method	EExe ac. to EN 50019

Ordering		
Type	d [mm]	Number of terminals
XE-SBd-B10S-G8-2 to XE-SBd-B10S-G8-6	3; 4.5; 6; 8	2 to 6
Sample: Springing mount terminal block XE-SB $\varnothing 6$ -B10S-G8-6		

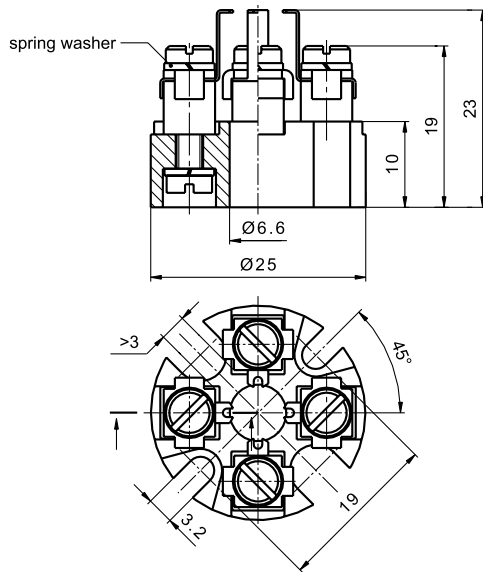
EEx e SPRING LOADED TERMINAL BLOCK type XE-SBd-B10S-G8Lr



Technical data	
Place to install	„B” type connection heads – with 33mm mounting holes spacing
Way of install	Springing fixed to the connection head by M4 screws
Way of connecting with measuring insert	By pressing
Diameter of measuring insert	$d = 3; 4.5; 6; 8$ [mm]
Max. number of terminals	6
Max. Diameter of inside wire	$\varnothing 1.2$ mm
Way of connecting inside wire to the terminals	By soldering
Protection Method	EEx e ac. to EN 50019

Ordering		
Type	d [mm]	Number of terminals
XE-SBd-B10S-G8Lr-2 to XE-SBd-B10S-G8Lr-6	3; 4.5; 6; 8	2 to 6
Sample: Springing mount terminal block XE-SB $\varnothing 6$ -B10S-G8Lr-6		

EXPLOSIONPROOF TERMINAL BLOCK TYPE XE-M6S-VS10L



Technical data

Place to install	„M” type connection heads with 19 or 20mm mounting holes spacing
Way of install	Directly fixed to the connection head by M2.5 or M3 screws
Material of block	Steatite C220 ac. to IEC 60672-3
Material of terminals	Nickel – plated brass
Max. number of terminals	4
Max. diameter of inside wire	Ø1mm
Way of connection inside wire to the terminals	By soldering
Protection Method	EExia ac. to EN 50020, EExe ac. to EN 50019

Ordering

Type	Number of terminals
XE-M6S-VS10L-2 to XE-M6S-VS10L-4	2 to 4
Sample : Terminal block XE-M6S-VS10L-4	

Unit for fixing to the connection head

Name	Type
Mounting kit	KMD-20X

Unit for spring loaded version

Mounting kit	-
Springing disk	-
Bush springing disk	-



kamet
thermoccomponents

Kamet Trading
Franciscusweg 9-10
1216 SK Hilversum

Tel. : +31 (0)35-628 2910
Fax : +31 (0)35-628 2912
E-mail : info@kamet-trading.nl
Internet : www.kamet-trading.nl