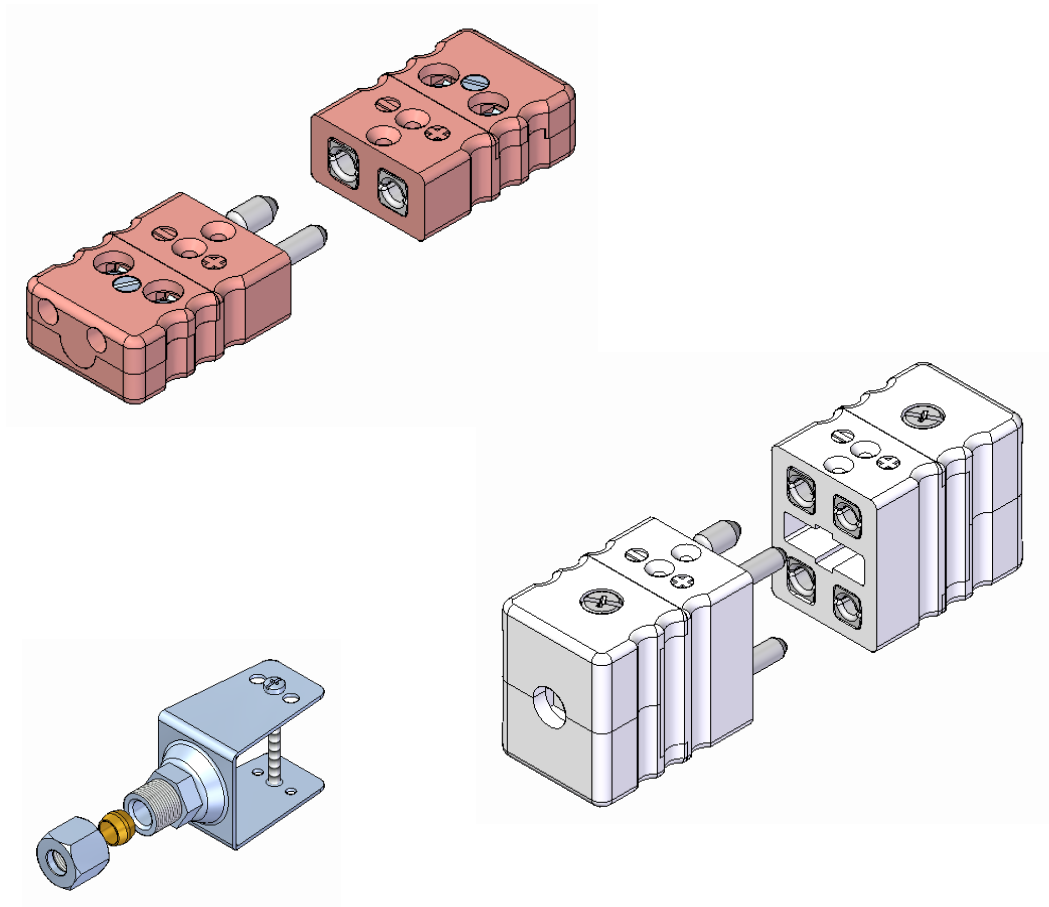
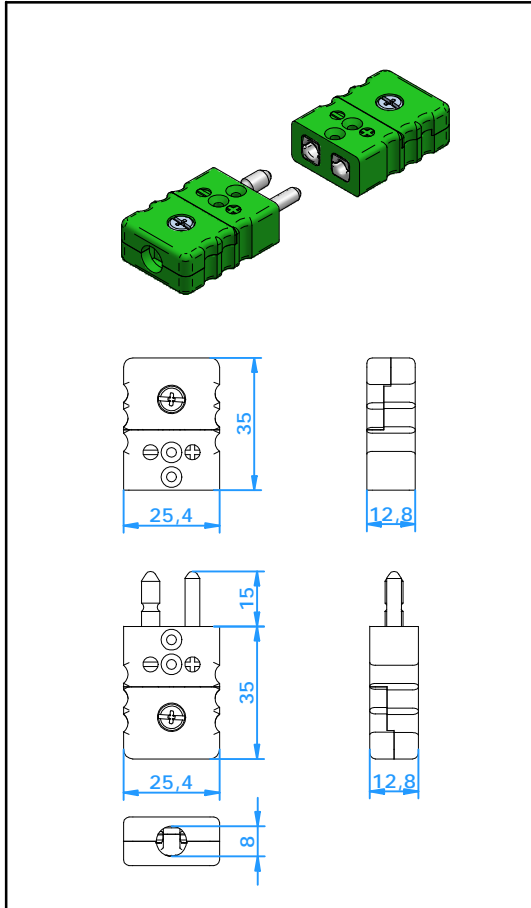


Standard connectors & Accessories



Connectors

Standard Connector



Application

Connector for thermocouple and RTD circuits. Solid pin design ensures good contact even in demanding applications. Hollow pin design offers a good quality product at competitive pricing for less frequently used connectors.

Construction

- Glass filled high quality thermoplastic body with original thermocouple material pins and springloaded inserts.
- Polarized pins.
- Central cover screw design for quick wiring.
- Molded barriers prevent short circuit.
- Captive cover screw for easy assembly.
- Easy wire connection through sandwich construction
- Stainless Steel screws with combination head (Slotted and Phillips)

Wire size

- Accepts wires from 0,2 mm to 2,0 mm.
- Maximum cable diameter 8,0 mm.

Temperature rating

- 200 °C Max.

Color Code

- Available in all color code standards. Incl. NFE, BS, JIS, etc.

Accessories

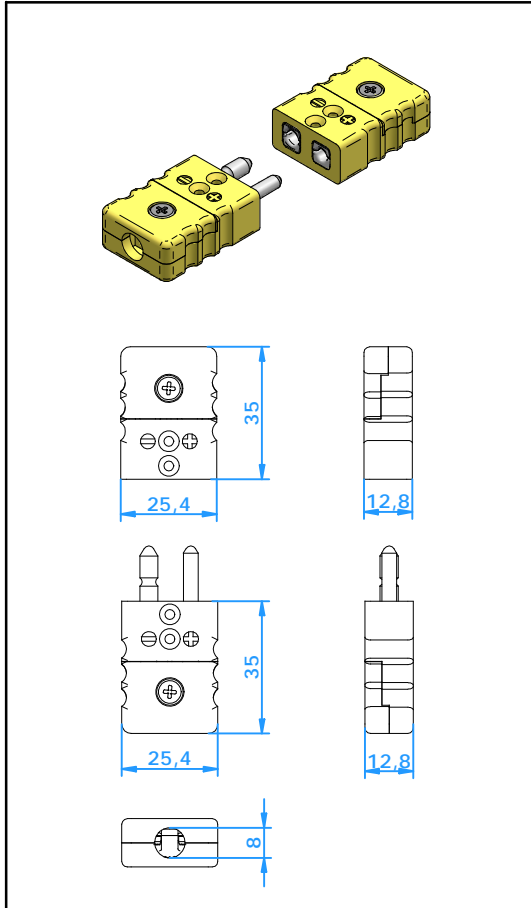
- Large variety of accessories for the standard connector are available. See separate specification sheets.

Ordering Code Plug Solid Pin : CSP-xx For last two digits 'xx' see table below
 Plug Hollow Pin: CSPL-xx
 Jack : CSJ-xx

Calibration Code	E	J	K	N	T	U	R/S	C	B
Compensation material for Material Positive	NiCr	Fe	NiCr	NiCrSi	Cu	Cu	Pt13Rh/ Pt	W5Re/ W26Re	Pt6Rh/ Pt30Rh
Material Negative	CuNi	CuNi	NiAl	NiSi	CuNi	Cu	Cu Alloy #11	CPX CNX	Cu Cu
IEC Color Code	Violet	Black	Green	Pink	Brown	White	Orange	Red	Grey
Color Body Code	EI	JI	KI	NI	TI	UI	RI	C	BI
ANSI Color Code	Violet	Black	Yellow	Orange	Blue	White	Green	Red	Grey
Color Body Code	EI	JI	KA	NA	TA	UI	RA	C	BI
DIN Color Code		Blue	Green		Brown		White		Grey
Color Body Code		JD	KI		TI		RD		BI

Connectors

Standard Connector Economy



Application

Connector for thermocouple and RTD circuits. Hollow pin design offers a good quality product at competitive pricing for less frequently used connectors.

Construction

- Glass filled Nylon body with original thermocouple material pins.
- Polarized hollow pins.
- Central cover screw design for quick wiring.
- Molded barriers prevent short circuit.
- Zinc plated steel screws

Wire size

- Accepts wires from 0,2 mm to 2,0 mm.
- Maximum cable diameter 8,0 mm.

Temperature rating

- 200 °C Max.

Color Code

- Available according to ANSI and IEC

Accessories

- Not all accessories for the standard connector can be fitted. Please consult factory.

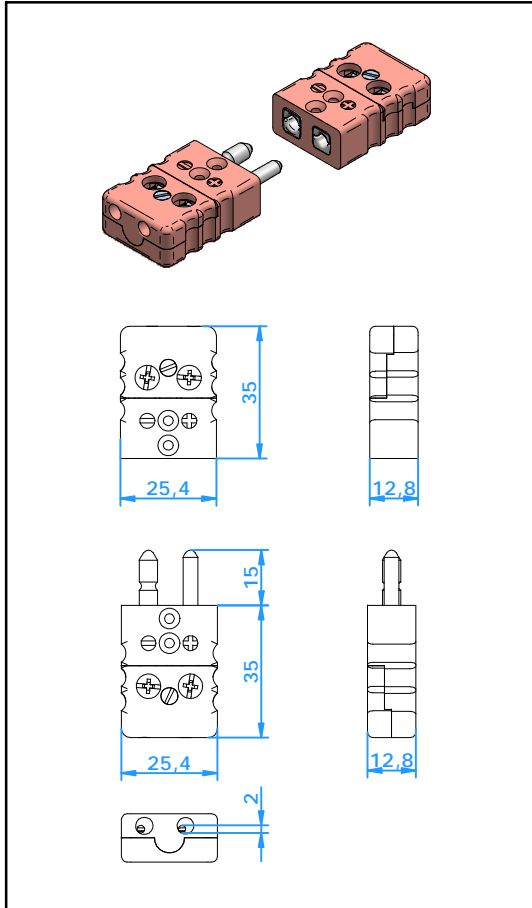
Ordering Code Plug: CSPE-xx
Jack: CSJE-xx

For last two digits 'xx' see table below

Calibration Code	J	K	N	T	R/S
Compensation Material for					Pt13Rh/Pt
Contact Material Positive	Fe	NiCr	NiCrSi	Cu	Cu
Contact Material Negative	CuNi	NiAl	NiSi	CuNi	Alloy #11
IEC Color Code					
Color Body	Black	Green	Pink	Brown	Orange
Code	J1	K1	N1	T1	R1
ANSI Color Code					
Color Body	Black	Yellow	Pink	Blue	Green
Code	J1	KA	NA	TA	RA

Connectors

Standard Connector Jab-in



Application

Connector for thermocouple and RTD circuits. Jab-in cover allow easy connection without need for cover removal. Solid pin design ensures good contact even in demanding applications. Hollow pin design offers a good quality product at competitive pricing for less frequently used connectors.

Construction

- Glass filled thermoplastic body with original thermocouple material pins.
- Polarized pins.
- Molded barriers prevent short circuit.
- Captive cover screw for easy assembly.

Wire size

- Accepts wires from 0,2 mm to 2,0 mm.

Temperature rating

- 200 °C Max.

Color Code

- Available in all color code standards. Incl. NFE, BS, JIS, etc.

Accessories

- Large variety of accessories for the standard connector are available. See separate specification sheets.

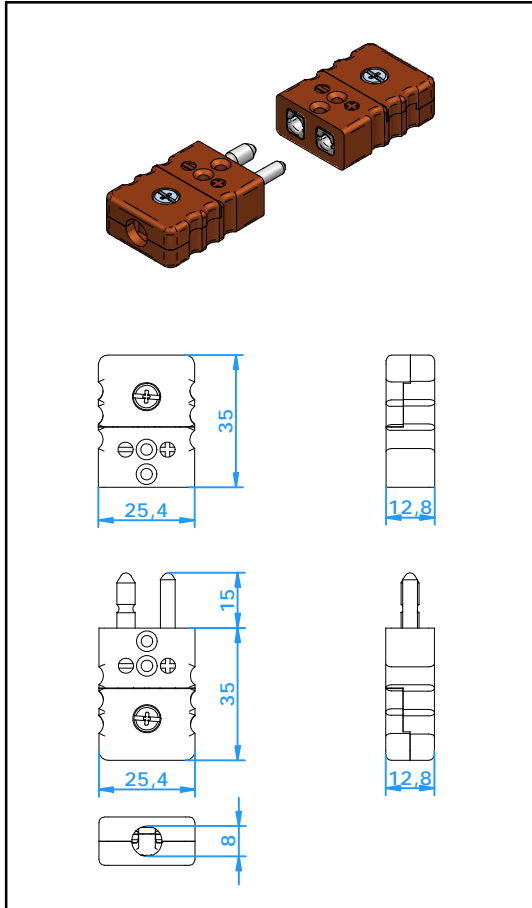
Ordering Code Plug Solid Pin : CSPQ-xx
 Plug Hollow Pin: CSPQL-xx
 Jack : CSJQ-xx

For last two digits 'xx' see table below

Calibration Code	E	J	K	N	T	U	R/S	C	B
Compensation material for Material Positive	NiCr	Fe	NiCr	NiCrSi	Cu	Cu	Pt13Rh/ Pt	W5Re/ W26Re	Pt6Rh/ Pt30Rh
Material Negative	CuNi	CuNi	NiAl	NiSi	CuNi	Cu	Cu Alloy #11	CPX CNX	Cu Cu
IEC Color Code									
Color Body	Violet	Black	Green	Pink	Brown	White	Orange	Red	Grey
Code	EI	JI	KI	NI	TI	UI	RI	C	BI
ANSI Color Code									
Color Body	Violet	Black	Yellow	Orange	Blue	White	Green	Red	Grey
Code	EI	JI	KA	NA	TA	UI	RA	C	BI
DIN Color Code									
Color Body		Blue	Green		Brown		White		Grey
Code		JD	KI		TI		RD		BI

Connectors

Standard Connector High Temperature



Application

Connector for thermocouple and RTD circuits. Solid pin design ensures good contact even in demanding applications. Thermoset material designed for use at high temperatures. Hollow pin design offers a good quality product at competitive pricing for less frequently used connectors.

Construction

- body of thermoset material with original thermocouple material pins and springloaded inserts.
- Polarized pins ensure proper connection.
- Easy wire connection through sandwich construction.
- Molded barriers prevent short circuit.
- Rugged one body design.

Wire size

- Accepts wires from 0,2 mm to 2,0 mm.
- Maximum cable diameter 8,0 mm.

Temperature rating

- 350 °C maximum

Color Code

- Color of the connector-body is brown, calibration indication printed on body

Accessories:

- Stainless steel braze/crimp adaptors, tube adaptors, wire clamp bracket and U-Brackets are available, please see separate specification sheets or consult factory

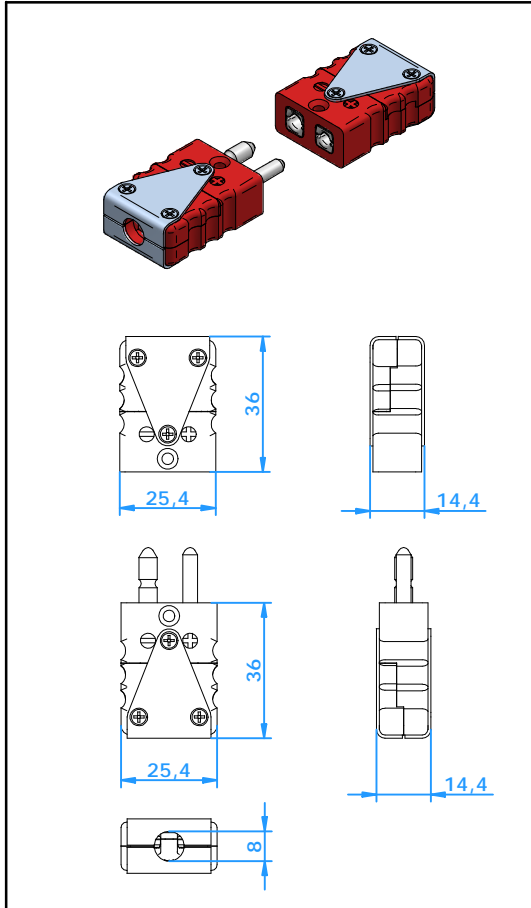
Ordering Code Plug Solid Pin : CSPH-x x = Calibration Code (See table below)
 Plug Hollow Pin: CSPHL-x
 Jack : CSJH-x

Calibration Code	E	J	K	N	T	U	R/S	C ²⁾	B
Compensation material for							Pt13Rh/ Pt	W5Re/ W26Re	Pt6Rh/ Pt30Rh
Material Positive	NiCr	Fe	NiCr	NiCrSi	Cu	Cu ¹⁾	Cu	CPX ²⁾	Cu ¹⁾
Material Negative	CuNi	CuNi	NiAl	NiSi	CuNi	Cu ¹⁾	Alloy #11	CNX ²⁾	Cu ¹⁾

Note ¹⁾ Copper pins are also available with a hard nickel plating, please add "NP" after the calibration code
²⁾ Type C connector plug is only available in a hollow pin version

Connectors

Standard Connector Ultra High Temp



Application

Connector for thermocouple and RTD circuits. Plastic compound designed for use at elevated temperatures. Solid pin design ensures good contact even in demanding applications. Hollow pin design offers a good quality product at competitive pricing for less frequently used connectors.

Construction

- body of ultra high temp thermoset compound with original thermocouple material pins and springloaded inserts.
- Polarized pins ensure proper connection.
- Easy wire connection through sandwich construction.
- Molded barriers prevent short circuit.
- Rugged one body design.
- Stainless steel bracket and screws for usage in robust environment

Wire size

- Accepts wires from 0,2 mm to 2,0 mm.
- Maximum cable diameter 8,0 mm.

Temperature rating

- 425 °C continuous, 540 °C intermittent

Color Code

- Color of the connector-body is red/brown, calibration indication stamped on the stainless steel top-bracket

Accessories:

- Stainless steel braze/crimp adaptors, tube adaptors, wire clamp bracket and U-Brackets are available, please see separate specification sheets or consult factory

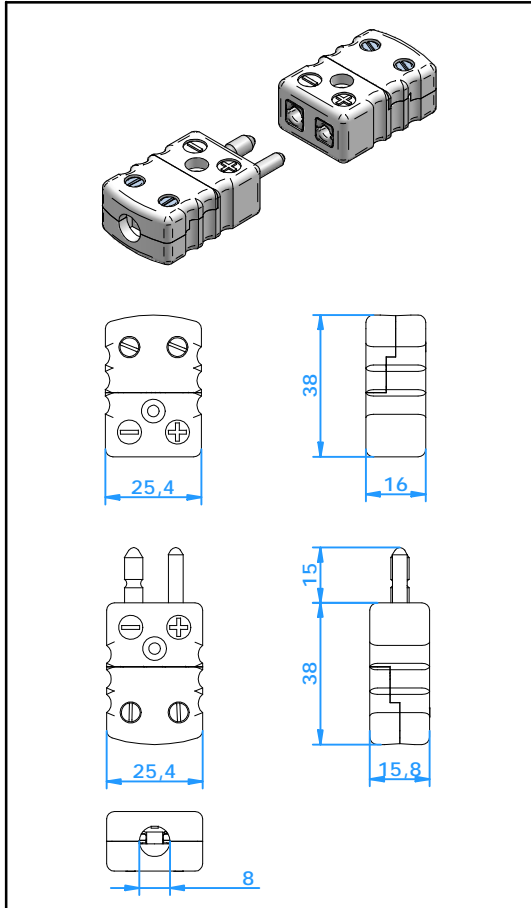
Ordering Code Plug Solid Pin : CSPU-x x = Calibration Code (See table below)
 Plug Hollow Pin: CSPUL-x
 Jack : CSJU-x

Calibration Code	E	J	K	N	T	U	R/S	C	B
Compensation material for							Pt13Rh/ Pt	W5Re/ W26Re	Pt6Rh/ Pt30Rh
Material Positive	NiCr	Fe	NiCr	NiCrSi	Cu	Cu ¹⁾	Cu	CPX ²⁾	Cu ¹⁾
Material Negative	CuNi	CuNi	NiAl	NiSi	CuNi	Cu ¹⁾	Alloy #11	CNX ²⁾	Cu ¹⁾

Note ¹⁾ Copper pins are also available with a hard nickel plating, please add "NP" after the calibration code
²⁾ Type C connector plug is only available in a hollow pin version

Connectors

Standard Connector Ceramic



Application

Connector for thermocouple and RTD circuits. Solid pin design ensures good contact even in demanding applications. Hollow pin design offers a good quality product at competitive pricing for less frequently used connectors.

Construction

- Ceramic body with original thermocouple material pins and springloaded inserts.
- Polarized pins ensure proper connection.
- Oversize terminal screw head for easy wiring
- One body design.
- High purity alumina body material.

Wire size

- Accepts wires from 0,2 mm to 2,0 mm.
- Maximum cable diameter 8,0 mm.

Temperature rating

- 650 °C Max.

Color Code

- Body color white with color dot.

Accessories

- See separate specification sheet.

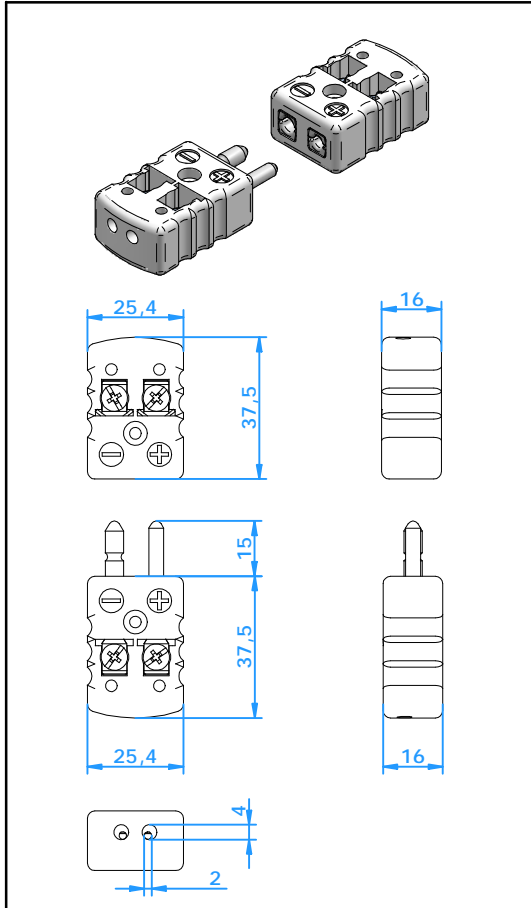
Ordering Code Plug Solid Pin : CSPC-x x = Calibration Code (See table below)
 Plug Hollow Pin: CSPCL-x
 Jack : CSJC-x

Calibration Code	E	J	K	N	T	U	R/S	C	B
Compensation material for Material Positive	NiCr	Fe	NiCr	NiCrSi	Cu	Cu ¹⁾	Pt13Rh/ Pt	W5Re/ W26Re	Pt6Rh/ Pt30Rh
Material Negative	CuNi	CuNi	NiAl	NiSi	CuNi	Cu ¹⁾	Cu Alloy #11	CPX CNX	Cu ¹⁾ Cu ¹⁾
IEC Color Code	Violet	Black	Green	Pink	Brown	White	Orange	Red	Grey
Color Dot Code	EI	JJ	KI	NI	TI	UI	RI	C ²⁾	BI
ANSI Color Code	Violet	Black	Yellow	Orange	Blue	White	Green	Red	Grey
Color Dot Code	EI	JJ	KA	NA	TA	UI	RA	C ²⁾	BI
DIN Color Code		Blue	Green		Brown		White		Grey
Color Dot Code		JD	KI		TI		RD		BI

Note ¹⁾ Copper pins are also available with a hard nickel plating, please add "NP" after the calibration code
²⁾ Type C connector plug is only available in a hollow pin version

Connectors

Standard Connector Ceramic Jab-in



Application

Connector for thermocouple and RTD circuits. Allows easy connection without need for cover removal. Solid pin design ensures good contact even in demanding applications. Hollow pin design offers a good quality product at competitive pricing for less frequently used connectors.

Construction

- Ceramic body with original thermocouple material pins and springloaded inserts.
- Rugged one body design
- Polarized pins
- Easy wire connection through sandwich construction
- Molded barriers prevent short circuit
- High purity alumina body material

Wire size

- Accepts wires from 0,2 mm to 2,0 mm.

Temperature rating

- 650 °C Max.

Color Code

- Body color white with color dot. Body without colour dot available on request.

Accessories

- Wire clamp bracket, see separate specification sheet.

Ordering Code Plug Solid Pin : CSPCQ-xx
 Plug Hollow Pin: CSPCQL-xx
 Jack : CSJQ-xx

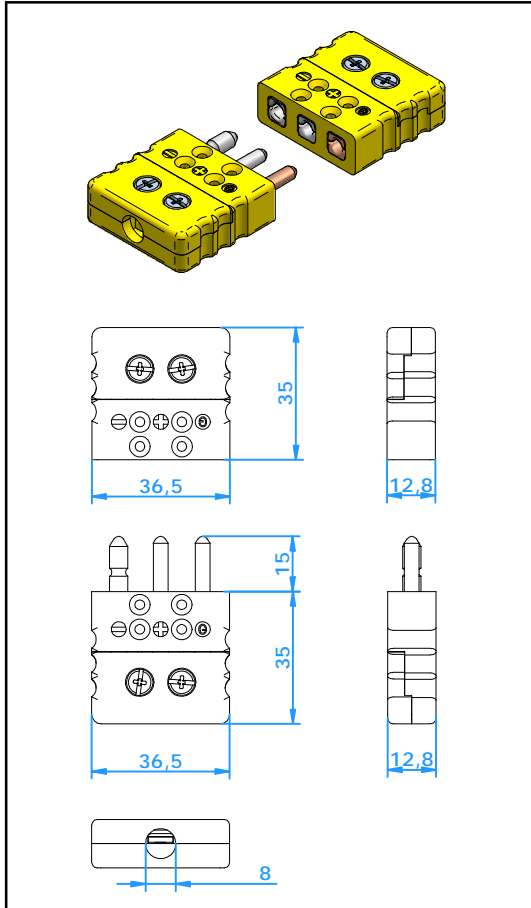
For last two digits 'xx' see table below

Calibration Code	E	J	K	N	T	U	R/S	C	B
Compensation material for							Pt13Rh/ Pt	W5Re/ W26Re	Pt6Rh/ Pt30Rh
Material Positive	NiCr	Fe	NiCr	NiCrSi	Cu	Cu ¹⁾	Cu	CPX	Cu ¹⁾
Material Negative	CuNi	CuNi	NiAl	NiSi	CuNi	Cu ¹⁾	Alloy #11	CNX	Cu ¹⁾
IEC Color Code									
Color Dot	Violet	Black	Green	Pink	Brown	White	Orange	Red	Grey
Code	EI	JI	KI	NI	TI	UI	RI	C ²⁾	BI
ANSI Color Code									
Color Dot	Violet	Black	Yellow	Orange	Blue	White	Green	Red	Grey
Code	EI	JI	KA	NA	TA	UI	RA	C ²⁾	BI
DIN Color Code									
Color Dot		Blue	Green		Brown		White		Grey
Code		JD	KI		TI		RD		BI

Note ¹⁾ Copper pins are also available with a hard nickel plating, please add "NP" after the calibration code
²⁾ Type C connector plug is only available in a hollow pin version

Connectors

Standard Connector Three Pin



Application

Connector for thermocouple and RTD circuits. Third contact for ground or continuous shield or for three wire RTD's. Solid pin design ensures good contact even in demanding applications. Hollow pin design offers a good quality product at competitive pricing for less frequently used connectors.

Construction

- Glass filled thermoplastic body with original thermocouple material pins and springloaded inserts.
- Polarized pins.
- Central cover screw design for quick wiring.
- Molded barriers prevent short circuit.
- Captive cover screw for easy assembly.

Wire size

- Accepts wires from 0,2 mm to 2,0 mm.
- Maximum cable diameter 8,0 mm.

Temperature rating

- 200 °C Max.

Color Code

- Available in all color code standards. Incl. NFE, BS, JIS, etc.

Accessories

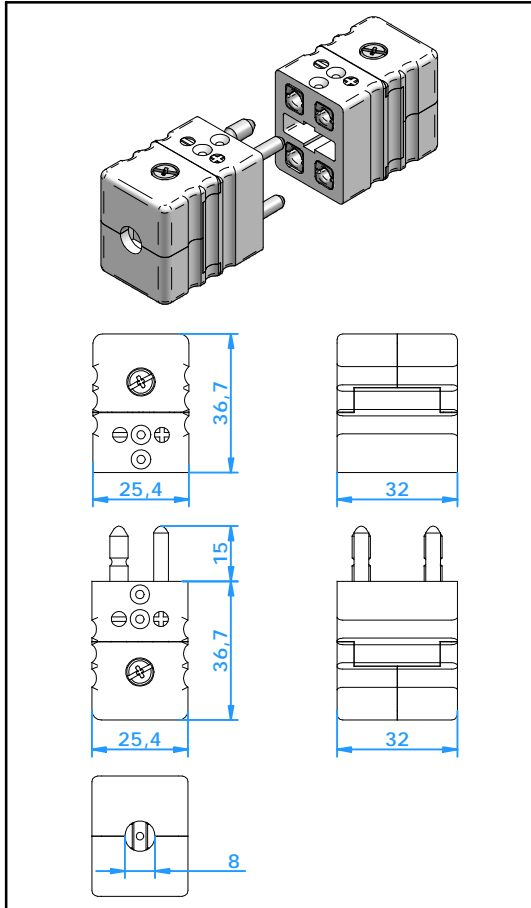
- Most accessories for the standard connector can be fitted. See separate specification sheet.

Ordering Code Plug Solid Pin : CSPT-xx For last two digits 'xx' see table below
 Plug Hollow Pin: CSPTL-xx
 Jack : CSJT-xx

Calibration Code	E	J	K	N	T	U	R/S	C	B
Compensation material for							Pt13Rh/	W5Re/	Pt6Rh/
Material Positive	NiCr	Fe	NiCr	NiCrSi	Cu	Cu	Pt	W26Re	Pt30Rh
Material Negative	CuNi	CuNi	NiAl	NiSi	CuNi	Cu	Alloy #11	CPX	Cu
							CNX		Cu
IEC Color Code									
Color Body	Violet	Black	Green	Pink	Brown	White	Orange	Red	Grey
Code	EI	JI	KI	NI	TI	UI	RI	C	BI
ANSI Color Code									
Color Body	Violet	Black	Yellow	Orange	Blue	White	Green	Red	Grey
Code	EI	JI	KA	NA	TA	UI	RA	C	BI
DIN Color Code									
Color Body		Blue	Green		Brown		White		Grey
Code		JD	KI		TI		RD		BI

Connectors

Standard Connector Duplex



Application

Connector for thermocouple and RTD circuits. Is very well suited for 4-wire RTD-'s. Solid pin design ensures good contact even in demanding applications. Hollow pin design offers a good quality product at competitive pricing for less frequently used connectors.

Construction

- Glass filled thermoplastic body with original thermocouple material pins and springloaded inserts.
- Polarized pins.
- Central cover screw design for quick wiring.
- Molded barriers prevent short circuit.
- Captive cover screw for easy assembly.
- Connects with standard horizontal and vertical panels.

Wire size

- Accepts wires from 0,2 mm to 2,0 mm.
- Maximum cable diameter 8,0 mm.

Temperature rating

- 200 °C Max.

Color Code

- Body color white. Calibration indication printed on connector. Colored dot indication optional.

Accessories

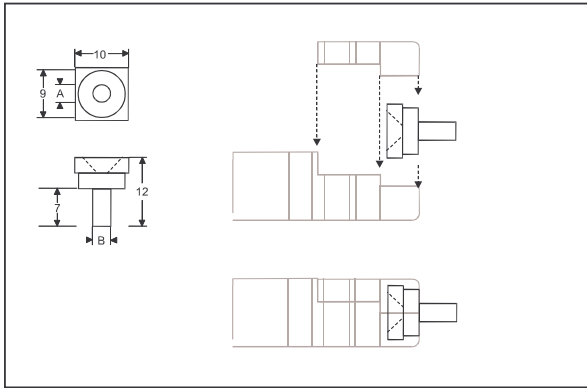
- Crimpinserts and Wire clamp bracket available. For other accessories consult factory.

Ordering Code Plug Solid Pin : CSPD-x x = Calibration Code (See table below)
 Plug Hollow Pin: CSPDL-x
 Jack : CSJD-x

Calibration Code	E	J	K	N	T	U	R/S	C	B
Compensation material for							Pt13Rh/ Pt	W5Re/ W26Re	Pt6Rh/ Pt30Rh
Material Positive	NiCr	Fe	NiCr	NiCrSi	Cu	Cu	Cu	CPX	Cu
Material Negative	CuNi	CuNi	NiAl	NiSi	CuNi	Cu	Alloy #11	CNX	Cu

Accessories

Standard Connectors

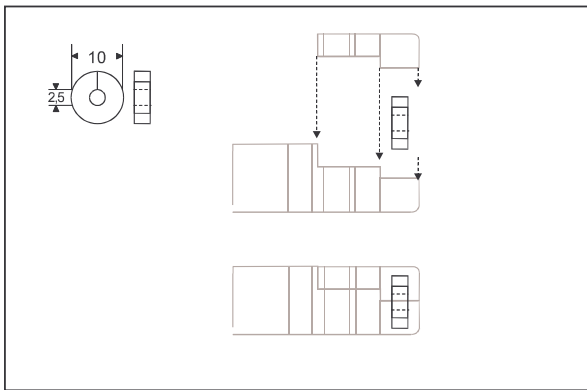


Crimp Insert

Application: Designed for soldering or crimping on mineral insulated cable or crimping on insulated wire.

Construction: Brass machined insert with 0,1 mm tolerance on the cable OD.

Part No.:	Dim A	Dim B
A-20.025-1	1,1	2,4
A-20.025-2	1,6	2,4
A-20.025-3	1,7	2,4
A-20.025-4	2,1	3,2
A-20.025-5	2,4	3,2
A-20.025-6	3,1	4,3
A-20.025-7	3,3	4,3
A-20.025-8	4,6	6,0
A-20.025-9	4,9	6,0
A-20.025-10	6,1	7,9
A-20.025-11	6,5	7,9
A-20.025-12	Blind	7,9
A-20.025-13	5,6	6,5
A-20.025-14	7,0	7,9
A-20.260-1	9,0	10,0



Grommet

Application: Fitted in the entrance hole of the connector to prevent moisture and dirt from entering the connector. Has limited strain relief capabilities.

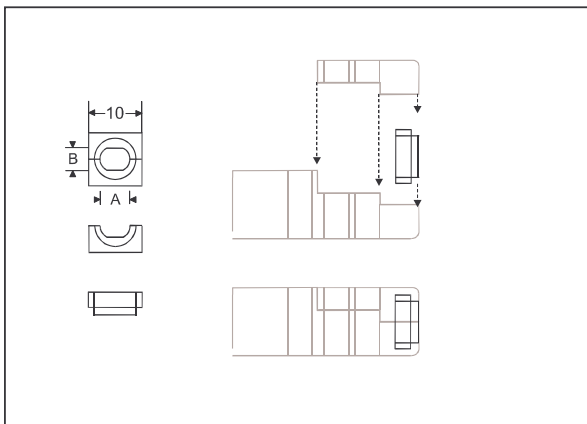
Construction:

- Neoprene ring slit for easy mounting over the wire. Will compress on the wire when cover is fitted.

Temperature Rating:

- 120 Deg. C Max.

Part No.: A-20.048-1



Wire Insert

Application: Wire inserts will provide a good strain relief without protruding parts from the connector.

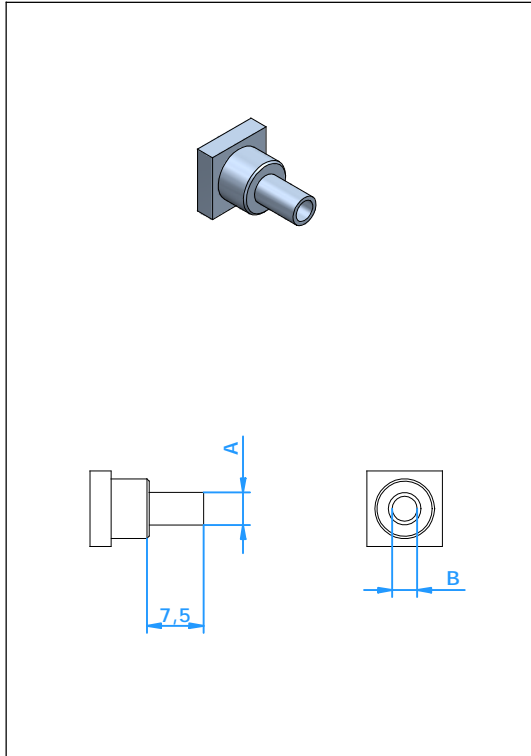
Construction:

- Thermoplastic material with round or oval hole to fit around a specific wire. Other dimensions available on request.

Part No.:	Round/Oval	DimA	Dim B
A-20.076-5	R	3,5	
A-20.076-24	R	2,0	1,5

Accessories

Standard Connector Braze/Crimp adapter



Application

Adapter can be fitted in the entrance hole of the connector to braze/crimp in mineral isolated cable.

Construction

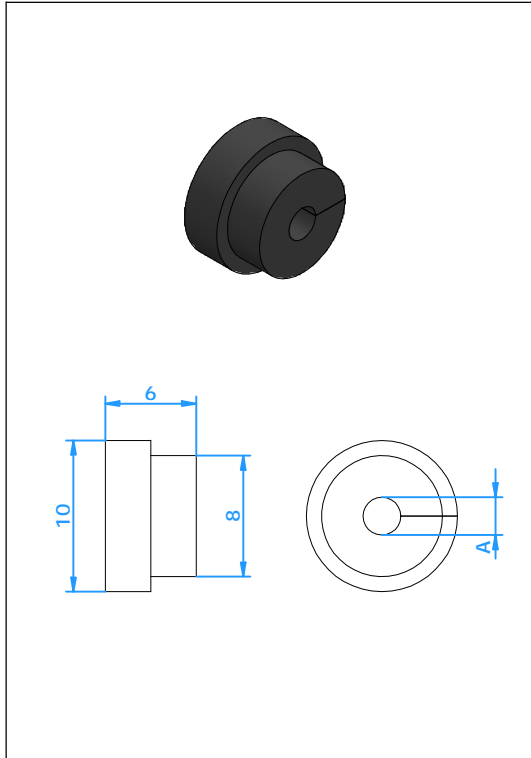
Stainless steel adapter, AISI-303 / DIN-1.4305

The adapter fits in all standard connectors.

Partnr.	A	B
20332-1	2,40 mm	1,10 mm
20332-2	2,40 mm	1,60 mm
20332-3	2,40 mm	1,70 mm
20332-4	3,20 mm	2,10 mm
20332-5	3,20 mm	2,40 mm
20332-6	4,30 mm	3,10 mm
20332-7	4,30 mm	3,30 mm
20332-8	6,00 mm	4,60 mm
20332-9	6,00 mm	4,90 mm
20332-10	7,90 mm	6,10 mm
20332-11	7,90 mm	6,50 mm
20332-14	7,90 mm	7,00 mm

Accessories

Standard Connector Grommet



Application

Grommet can be fitted in the entrance hole of the connector to prevent moisture and dirt from entering the connector. Has limited strain relief capabilities.

Construction

Silicone ring slit for easy mounting over the wire. Will compress on the wire when cover is fitted.

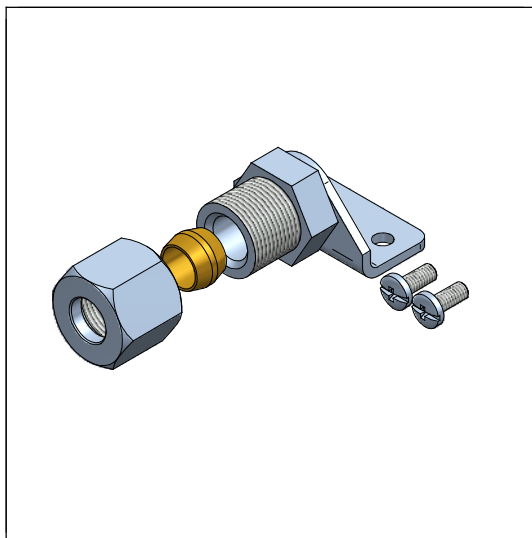
Temperature Rating

200 °C Max.

Part Nr.	A
20.048-1	2,50 mm
20.048-2	1,50 mm
20.048-3	4,50 mm

Accessories

Standard Connector Tube Adapter



Application

Can be used to mount the connector on mineral insulated cable or a tube type thermocouple. Can be used several times if not overtightened.

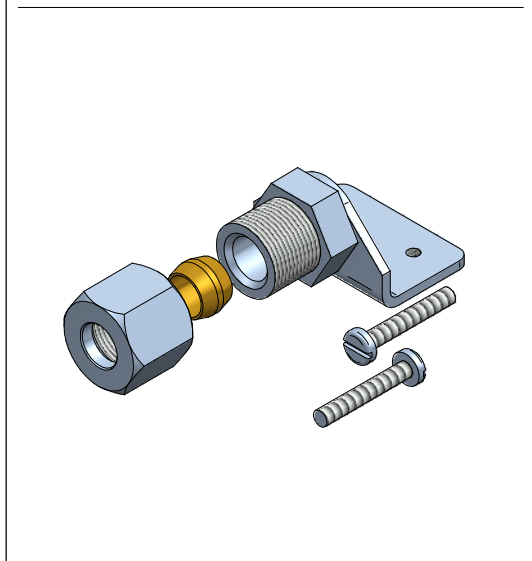
Construction

Stainless steel compression fitting with a brass ferrule on stainless steel bracket

Standard Connector

Part Nr.	Diameter	Wrench size
20.154-1	1,7 mm – 1/16"	Hex 10 mm
20.154-2	3,3 mm – 1/8"	Hex 10 mm
20.154-3	4,9 mm – 3/16"	Hex 13 mm
20.154-4	6,5 mm – 1/4"	Hex 13 mm
20.154-5	8,1 mm - 5/16"	Hex 16 mm
20.154-6	6,0 mm	Hex 13 mm
20.154-7	9,5 mm – 3/8"	Hex 16 mm

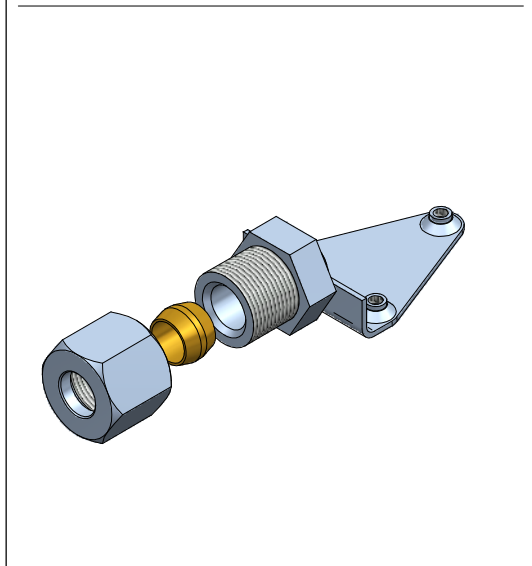
This tube adapter fits on all connectors CSP(L), CSJ, CSPH(L), CSJH, CSPQ(L), CSJQ, CSPT(L) and CSJT.



Standard Connector Ceramic

Part Nr.	Diameter	Wrench size
20.344-1	1,7 mm – 1/16"	Hex 10 mm
20.344-2	3,3 mm – 1/8"	Hex 10 mm
20.344-3	4,9 mm – 3/16"	Hex 13 mm
20.344-4	6,5 mm – 1/4"	Hex 13 mm
20.344-5	8,1 mm - 5/16"	Hex 16 mm
20.344-6	6,0 mm	Hex 13 mm
20.344-7	9,5 mm – 3/8"	Hex 16 mm

This tube adapter fits on all connectors CSPC(L), CSJC, CSPCQ(L), CSJCQ.



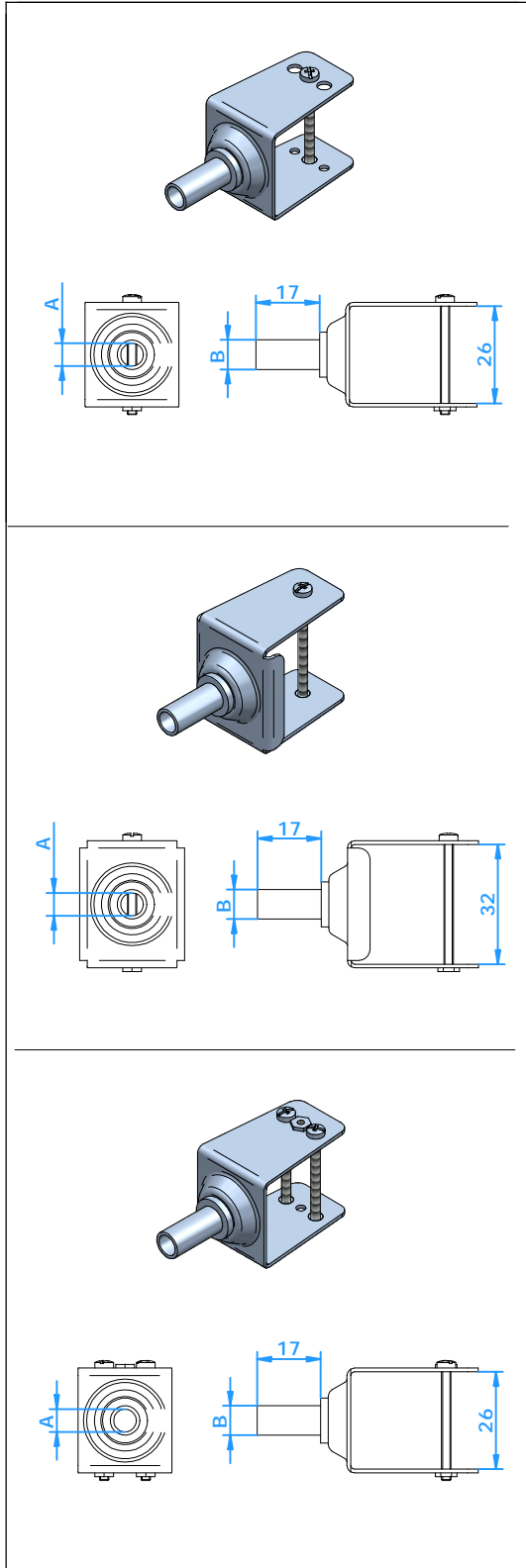
Standard Connector Ultra High Temp

Part Nr.	Diameter	Wrench size
20.345-1	1,7 mm – 1/16"	Hex 10 mm
20.345-2	3,3 mm – 1/8"	Hex 10 mm
20.345-3	4,9 mm – 3/16"	Hex 13 mm
20.345-4	6,5 mm – 1/4"	Hex 13 mm
20.345-5	8,1 mm - 5/16"	Hex 16 mm
20.345-6	6,0 mm	Hex 13 mm
20.345-7	9,5 mm – 3/8"	Hex 16 mm

This tube adapter fits on all connectors CSPU(L), CSJU.

Accessories

Standard Connector U-Bracket Braze/Crimp



Application

Allows the use of two standard connectors to be fitted on duplex mineral cable or duplex wire.

Construction

Stainless steel crimp braze/crimp-tube (AISI-303 / DIN 1.4305) on stainless steel bracket.

Standard Connector

Part Nr.	Dimension A	Dimension B
20.116-1	6,1	7,9
20.116-2	8,1	9,9
20.116-3	6,5	7,9

This bracket fits on all connectors CSP(L), CSJ, CSPH(L), CSJH, CSPU(L) and CSJU(L).

Standard Connector Ceramic

Part Nr.	Dimension A	Dimension B
20.340-1	6,1	7,9
20.340-2	8,1	9,9
20.340-3	6,5	7,9

This bracket fits on all connectors CSPC(L), CSJC.

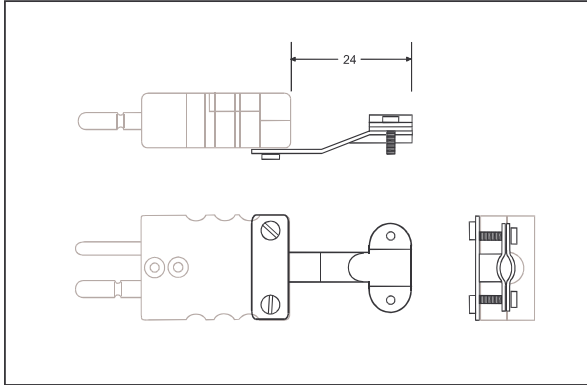
Standard Connector 3-Pin

Part Nr.	Dimension A	Dimension B
20.352-1	6,1	7,9
20.352-2	8,1	9,9
20.352-3	6,5	7,9

This bracket fits on all connectors CSPT(L), CSJT.

Accessories

Standard Connectors

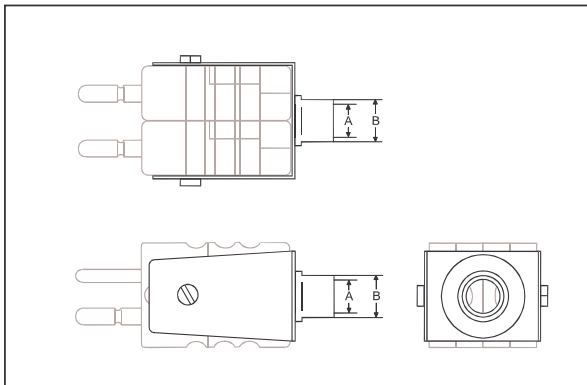


Wire Clamp Bracket

Application: Wire clampbracket will provide optimum strainrelief. Construction allows a large difference in maximum and minimum wire diameter

Construction: All Stainless steel incl. Stainless steel screws.

Part No.: A-20.055-1
 A-20.055-2 for ceramic standard connector
 A-20.055-5 for duplex standard connector



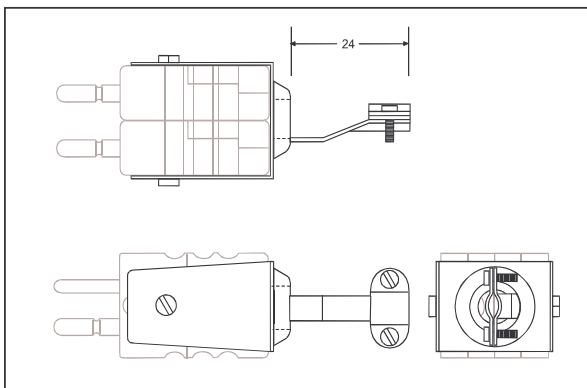
U Bracket

Application: Allows the use of two connectors to be fitted on duplex mineral cable or duplex wire.

Construction:

- Chrome plated carbon steel bracket with plated steel screws
- Is designed to be crimped on the transition piece with an outside diameter of 6 or 8 mm.

Part No.	Dim A	Dim B
A-20.116-1	6,1	7,9
A-20.116-2	8,1	9,9
A-20.116-3	6,5	7,9



U Bracket

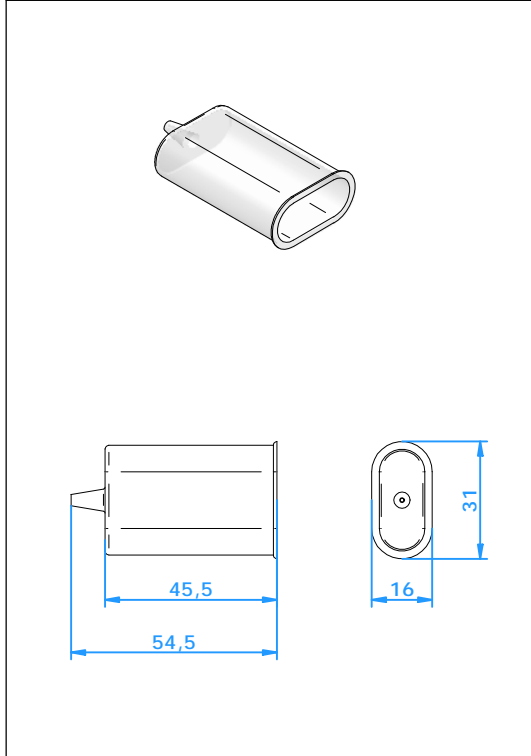
Application: Allows the use of two connectors to be fitted on a duplex wire. Construction provides optimum strainrelief and large difference in minimum and maximum diameter.

Construction: All Stainless steel incl. Stainless steel screws.

Part No.: A-20.191

Accessories

Standard Connector Protection Boot



Application

The two flexible silicone rubber boots will cover the connector set snugly and prevent moisture, water and dirt entering the connector.

Temperature Rating

- 200 °C

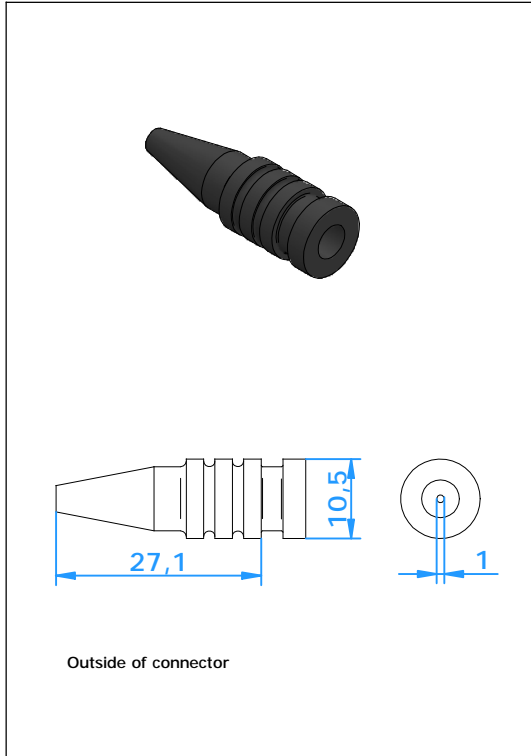
Construction

- Silicone cover with retention ring prevent disconnection due to vibration.
- Tapered entrance hole to ensure proper sealing on most cable diameters.

Part Nr. 20.061 (for one set order 2 pcs)

Accessories

Standard Connector Bending Protection



Application

Bending protection for thermocouples and wire being used with standard connectors. Prevents mechanical damage of wires at entrance point of the connector.

Construction

- Silicon rubber insert, tapered entrance hole ensures proper sealing on cable
- Fits in all standard connectors

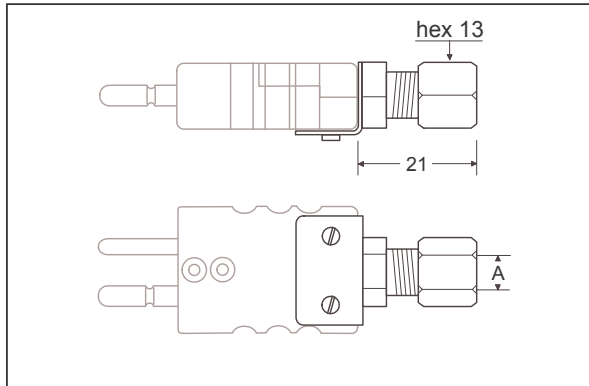
Temperature Rating

- 200 °C

Part Nr . 20.294

Accessories

Standard Connectors



Tube Adapter

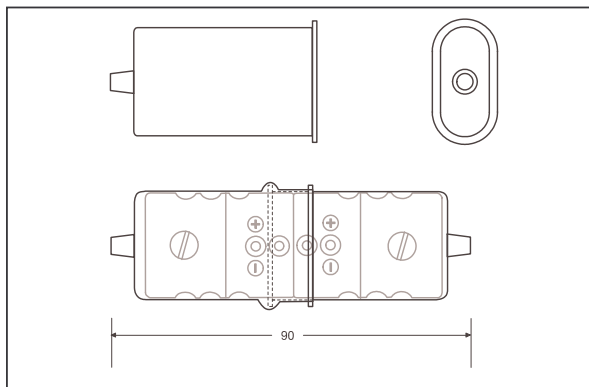
Application: Can be used to mount the connector on mineral insulated cable or a tube type thermocouple. Can be used several times if not overtightened.

Construction:

- Brass compression fitting crimped on stainless steel L-bracket.
- Nickel plated.

Part No.: Dim A

A-20.154-1	1,7
A-20.154-2	3,3
A-20.154-3	4,9
A-20.154-4	6,5
A-20.154-6	6,0



Boot

Application: The two flexible silicone rubber boots will cover the connector set snugly and prevent moisture, water and dirt entering the connectors.

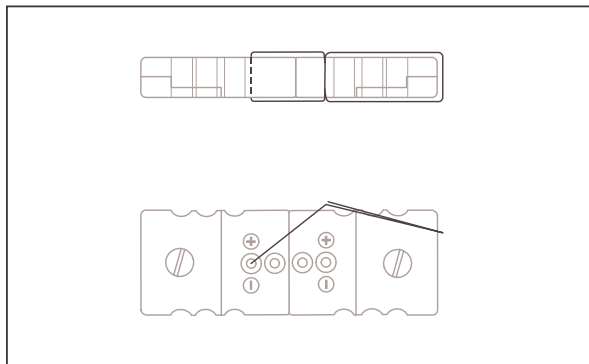
Construction:

- Silicone cover with retention ring to prevent disconnection due to vibration.
- Tapered entrance hole to ensure proper sealing on most cable diameters.

Temperature Rating: 200 °C

Part No.

A-20.061 (for one set order 2 pcs)



01-12-08

Locking-Clip

Application: In order to prevent accidental disconnection a locking clip can be used.

Construction:

- Stainless Steel clip
- Can be placed without any tools

Part No.

A-20.269



kamet
thermoccomponents

Kamet Trading
Franciscusweg 9-10
1216 SK Hilversum

Tel. : +31 (0)35-628 2910
Fax : +31 (0)35-628 2912
E-mail : info@kamet-trading.nl
Internet : www.kamet-trading.nl