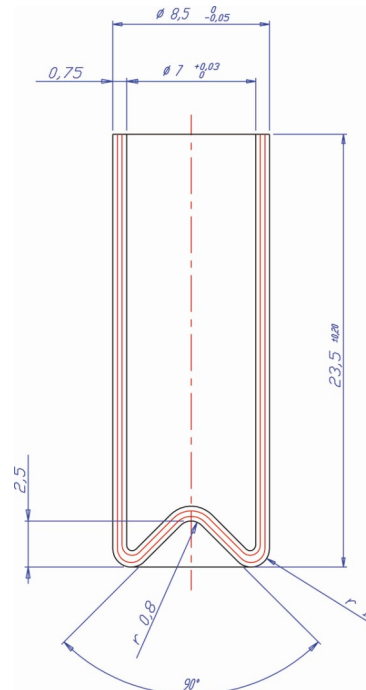
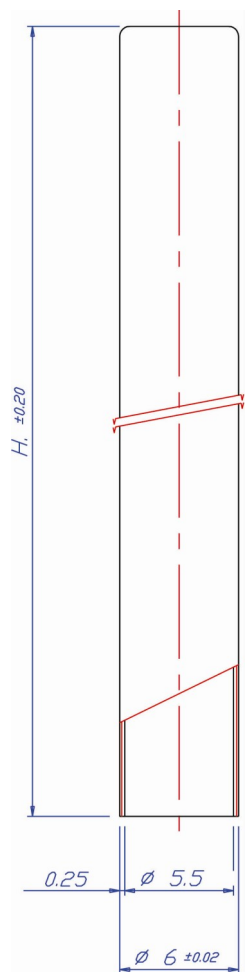


stainless steel tubes for temperature sensors

deep drawn or laser welded



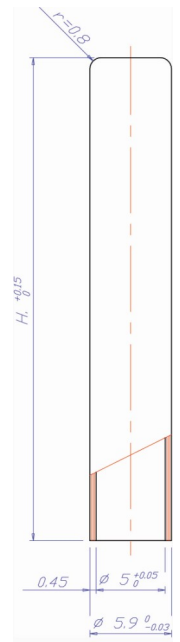
General

Kamet Trading supplies high quality deep drawn and laser welded stainless steel tubes, one side closed. These tubes are deburred and can be annealed.

Stainless steel tubes

Deep drawn

Material	Outer diameter (mm)	Inner diameter (mm)	Wall thickness (mm)	Standard lengths (mm)
AISI 304	5	4.4	0.30	30, 40, 45
AISI 304	5.5	4.9	0.30	26
AISI 304	5.9	5.25	0.325	30, 35, 40
AISI 304	6	5.1	0.45	20, 35
AISI 304	6.35	5.8	0.275	25
AISI 304	9.95	9.2	0.376	30
AISI 304	7.1	6.6	0.25	30, 40
AISI 305	3.0	2.60	0.200	25, 30
AISI 305	3.0	2.50	0.250	25, 165
AISI 305	4.0	3.40	0.300	15, 20, 25, 30, 35, 45, 55, 60
AISI 305	4.8	4.20	0.300	56
AISI 305	5.0	4.40	0.300	55
AISI 305	5.9	5.25	0.325	55
AISI 316	3	2.6	0.20	15
AISI 316	4	3.4	0.30	30
AISI 316	4	3.5	0.25	35
AISI 316	5.9	5	0.45	45, 50, 60



Soft metal tubes

Deep drawn

Material	Outer diameter (mm)	Inner diameter (mm)	Wall thickness (mm)	Standard lengths (mm)
Copper	6	5.5	0.250	30, 40, 60 mm
Copper	6	4.5	0.750	25, 40, 55 mm
Copper	8	7.0	0.300	45, 90, 110 mm
Brass	6	5.50	0.250	40 mm
Aluminium	16.5	15.8	0.350	20, 40 mm

Other dimensions and materials available on request.

Standard Stainless steel tubes

Welded

Besides the range of deep drawn tubes Kamet also has a standard range of laser welded tubes one side closed. Kamet provides the flexibility in addition to the standard range to supply other dimensions in small quantities. Not only in stainless steel but also in various alloys such as Inconel, Monel and Tantalum.

Material	Outer diameter (mm)	Inner diameter (mm)	Wall thickness (mm)	Standard length (mm)
AISI 316	4	3.5	0.250	40, 60, 90, 160, 265 mm
AISI 316	5	4.5	0.250	70, 140 mm
AISI 316	6	5.3	0.350	100, 115, 125, 185, 200, 235, 285, 335 mm
AISI 316	6	5.0	0.500	125, 200 mm
Monel	On request			
Tantalum	On request			
Molybdenum	On request			
Inconel 600	On request			

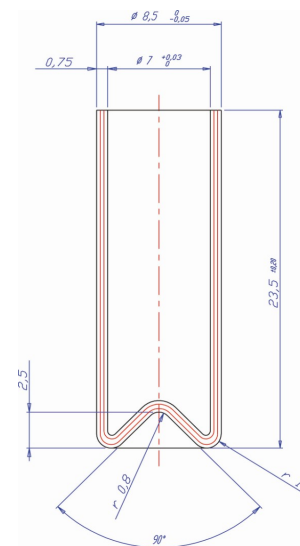
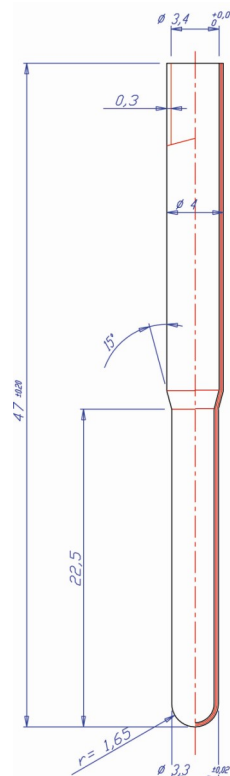
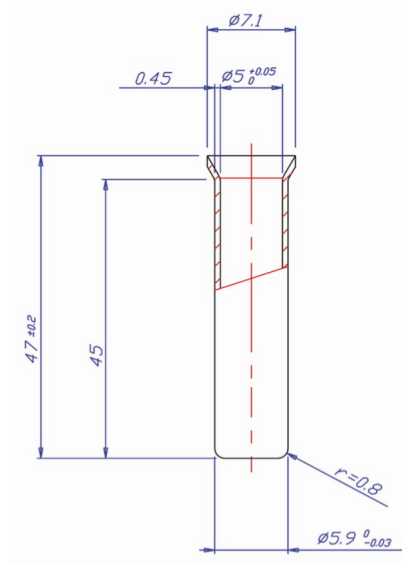
Custom dimensions and materials available on request.

Special Stainless steel tubes

Deep drawn & welded

Besides the straight deep drawn tubes Kamet offers tubes for special applications. Tubes with a reduced tip, flange or with a pushed bottom made of several materials are available.

Contact Kamet [sales](#) office for details and specifications.





kamet

thermoccomponents

Kamet Trading
Franciscusweg 9-10
1216 SK Hilversum

Tel. : + 31 (0)35-628 2910
Fax : + 31 (0)35-628 2912
E-mail : info@kamet-trading.nl
Internet : www.kamet-trading.nl