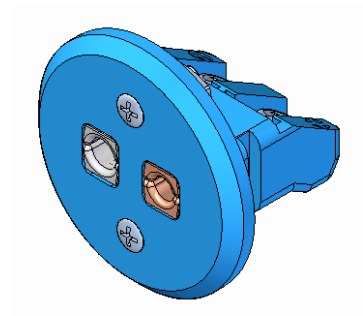
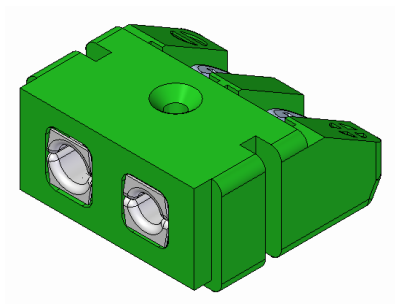
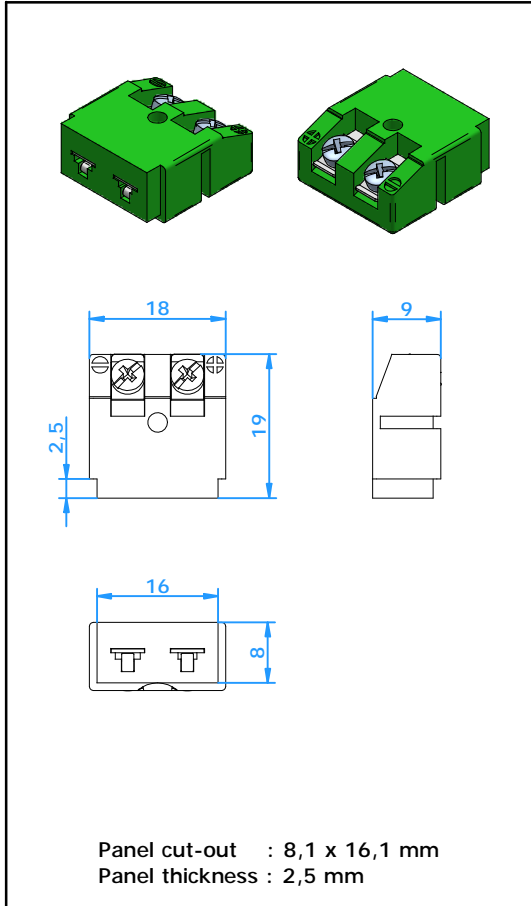


Standard and Mini panel inserts



Panels

Miniature Panel Insert



Application

Panel insert for thermocouple and RTD circuits.
Suited for small wires. Specially designed to be used together with Hamitherm panel set.

Construction

- Glass filled thermoplastic body with original thermocouple material pins and springloaded inserts.
- Polarized pins ensure proper connection.
- Easy wire connection through sandwich construction.
- Molded barriers prevent short circuit.
- Rugged one body design.
- Polarity indication on body.

Wire size

- Accepts wires from 0,002 mm to 0,6 mm.

Temperature rating

- 200 °C Max.

Color Code

- Available in all color code standards. Incl. NFE, BS, JIS, etc.

Accessories

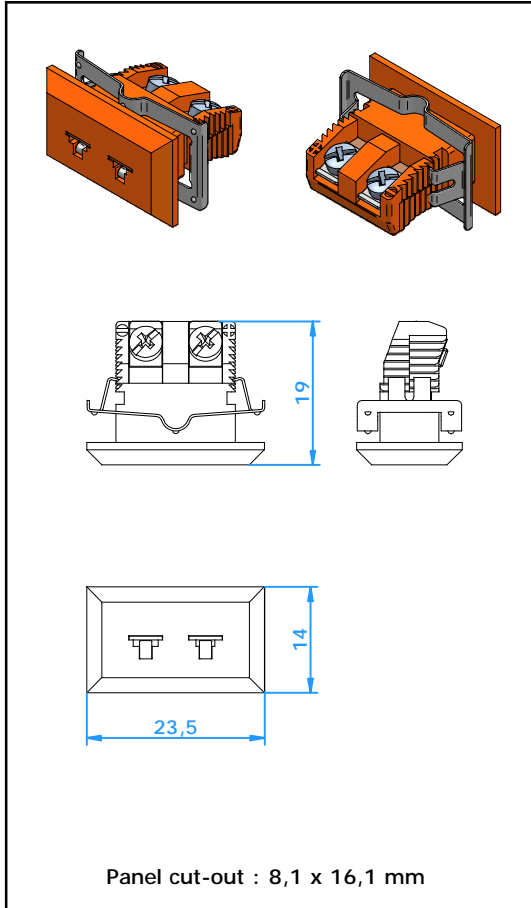
- Should be used with panel sets. Please see separate specification sheet.

Ordering Code : **PMI-xx** For last two digits 'xx' see table below

Calibration Code	E	J	K	N	T	U	R/S	C	B
Compensation material for Material Positive	NiCr	Fe	NiCr	NiCrSi	Cu	Cu	Pt13Rh/ Pt	W5Re/ W26Re	Pt6Rh/ Pt30Rh
Material Negative	CuNi	CuNi	NiAl	NiSi	CuNi	Cu	Cu Alloy #11	CPX CNX	Cu Cu
IEC Color Code	Violet	Black	Green	Pink	Brown	White	Orange	Red	Grey
Color Body Code	EI	JI	KI	NI	TI	UI	RI	C	BI
ANSI Color Code	Violet	Black	Yellow	Orange	Blue	White	Green	Red	Grey
Color Body Code	EI	JI	KA	NA	TA	UI	RA	C	BI
DIN Color Code		Blue	Green		Brown		White		Grey
Color Body Code		JD	KI		TI		RD		BI

Panels

Miniature Panel Insert Flanged



Application

Panel insert for thermocouple and RTD circuits. Suited for small wires. Mounting by means of easy to use self gripping clip¹⁾. No mounting tools required. Ideal panelinsert for instrument cases.

Construction

- Glass filled thermoplastic body with original thermocouple material pins and springloaded inserts.
- Polarized pins ensure proper connection.
- Easy wire connection through sandwich construction.
- Molded barriers prevent short circuit.
- Rugged one body design.
- Polarity indication on body

Wire size

- Accepts wires from 0,002 mm to 0,6 mm.

Temperature rating

- 200 °C Max.

Color Code

- Available in all color code standards. Incl. NFE, BS, JIS, etc.

Note

¹⁾ For other mounting options please see separate specification sheet for PMIFB-xx.

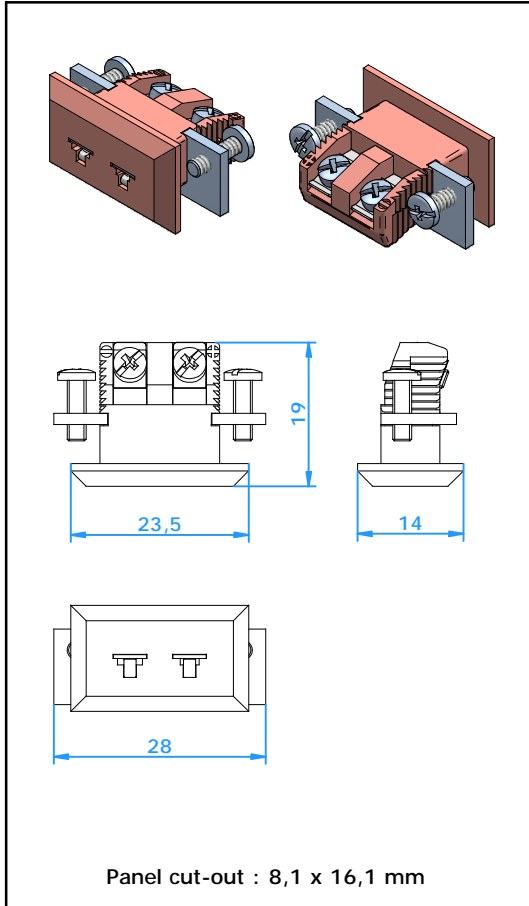
Ordering Code : PMIF-xx

For last two digits 'xx' see table below

Calibration Code	E	J	K	N	T	U	R/S	C	B
Compensation material for							Pt13Rh/ Pt	W5Re/ W26Re	Pt6Rh/ Pt30Rh
Material Positive	NiCr	Fe	NiCr	NiCrSi	Cu	Cu	Cu	CPX	Cu
Material Negative	CuNi	CuNi	NiAl	NiSi	CuNi	Cu	Alloy #11	CNX	Cu
IEC Color Code									
Color Body	Violet	Black	Green	Pink	Brown	White	Orange	Red	Grey
Code	EI	JI	KI	NI	TI	UI	RI	C	BI
ANSI Color Code									
Color Body	Violet	Black	Yellow	Orange	Blue	White	Green	Red	Grey
Code	EI	JI	KA	NA	TA	UI	RA	C	BI
DIN Color Code									
Color Body		Blue	Green		Brown		White		Grey
Code		JD	KI		TI		RD		BI

Panels

Miniature Panel Insert Flanged Bracket Mount



Application

Panel insert for thermocouple and RTD circuits.

Suited for small wires. Mounting by means of stainless steel bracket and two screws¹⁾. Ideal panelinsert for instrument cases.

Construction

- Glass filled thermoplastic body with original thermocouple material pins and springloaded inserts.
- Polarized pins ensure proper connection.
- Easy wire connection through sandwich construction.
- Molded barriers prevent short circuit.
- Rugged one body design.
- Polarity indication on body

Wire size

- Accepts wires from 0,002 mm to 0,6 mm.

Temperature rating

- 200 °C Max.

Color Code

- Available in all color code standards. Incl. NFE, BS, JIS, etc.

Note

¹⁾ For other mounting options please see separate specification sheet for PMIF-xx.

Ordering Code :

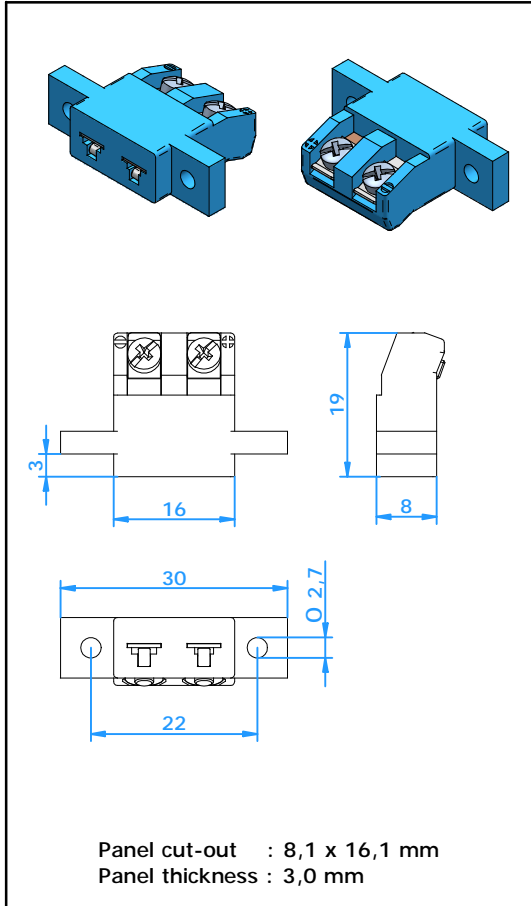
PMIFB-xx

For last two digits 'xx' see table below

Calibration Code	E	J	K	N	T	U	R/S	C	B
Compensation material for							Pt13Rh/ Pt	W5Re/ W26Re	Pt6Rh/ Pt30Rh
Material Positive	NiCr	Fe	NiCr	NiCrSi	Cu	Cu	Cu	CPX	Cu
Material Negative	CuNi	CuNi	NiAl	NiSi	CuNi	Cu	Alloy #11	CNX	Cu
IEC Color Code									
Color Body	Violet	Black	Green	Pink	Brown	White	Orange	Red	Grey
Code	EI	JI	KI	NI	TI	UI	RI	C	BI
ANSI Color Code									
Color Body	Violet	Black	Yellow	Orange	Blue	White	Green	Red	Grey
Code	EI	JI	KA	NA	TA	UI	RA	C	BI
DIN Color Code									
Color Body		Blue	Green		Brown		White		Grey
Code		JD	KI		TI		RD		BI

Panels

Miniature Panel Insert Lugged



Application

Panel insert for thermocouple and RTD circuits.
Suited for small wires. Can be mounted in a single circuit version or in rows in a customer panel. Mounting by means of two M2,5 screws.

Construction

- Glass filled thermoplastic body with original thermocouple material pins and springloaded inserts.
- Polarized pins ensure proper connection.
- Easy wire connection through sandwich construction.
- Molded barriers prevent short circuit.
- Rugged one body design.
- Polarity indication on body.

Wire size

- Accepts wires from 0,002 mm to 0,6 mm.

Temperature rating

- 200 °C Max.

Color Code

- Available in all color code standards. Incl. NFE, BS, JIS, etc.

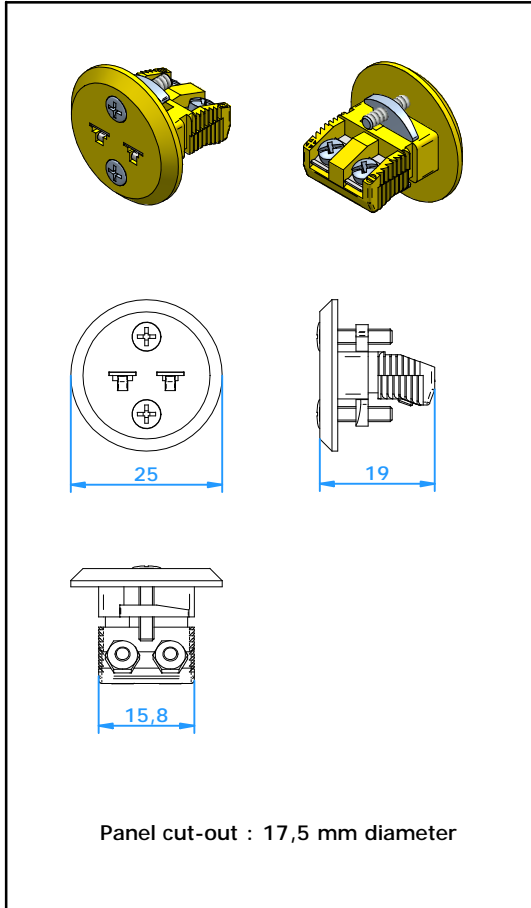
Ordering Code : PMIL-xx

For last two digits 'xx' see table below

Calibration Code	E	J	K	N	T	U	R/S	C	B
Compensation material for Material Positive	NiCr	Fe	NiCr	NiCrSi	Cu	Cu	Pt13Rh/ Pt	W5Re/ W26Re	Pt6Rh/ Pt30Rh
Material Negative	CuNi	CuNi	NiAl	NiSi	CuNi	Cu	Cu Alloy #11	CPX CNX	Cu Cu
IEC Color Code	Violet	Black	Green	Pink	Brown	White	Orange	Red	Grey
Color Body Code	EI	JJ	KI	NI	TI	UI	RI	C	BI
ANSI Color Code	Violet	Black	Yellow	Orange	Blue	White	Green	Red	Grey
Color Body Code	EI	JJ	KA	NA	TA	UI	RA	C	BI
DIN Color Code		Blue	Green		Brown		White		Grey
Color Body Code		JD	KI		TI		RD		BI

Panels

Miniature Panel Insert Round Direct Mount



Application

Panel insert for thermocouple and RTD circuits. Suited for small wires. Mounting by means of two screws at the front ¹⁾. Ideal panelinsert for instrument cases.

Construction

- Glass filled thermoplastic body with original thermocouple material pins and springloaded inserts.
- Polarized pins ensure proper connection.
- Easy wire connection through sandwich construction.
- Molded barriers prevent short circuit.
- Rugged one body design.
- Polarity indication on body
- Stainless steel screws and brackets for front mounting

Wire size

- Accepts wires from 0,002 mm to 0,6 mm.

Temperature rating

- 200 °C Max.

Color Code

- Available in all color code standards. Incl. NFE, BS, JIS, etc.

Accessories

- Panel Punch for 11/16" – 17,5 mm, partnr. 20.366

Note

¹⁾ For other mounting options please see separate specification sheet for PMIRB-xx and PMIRC-xx.

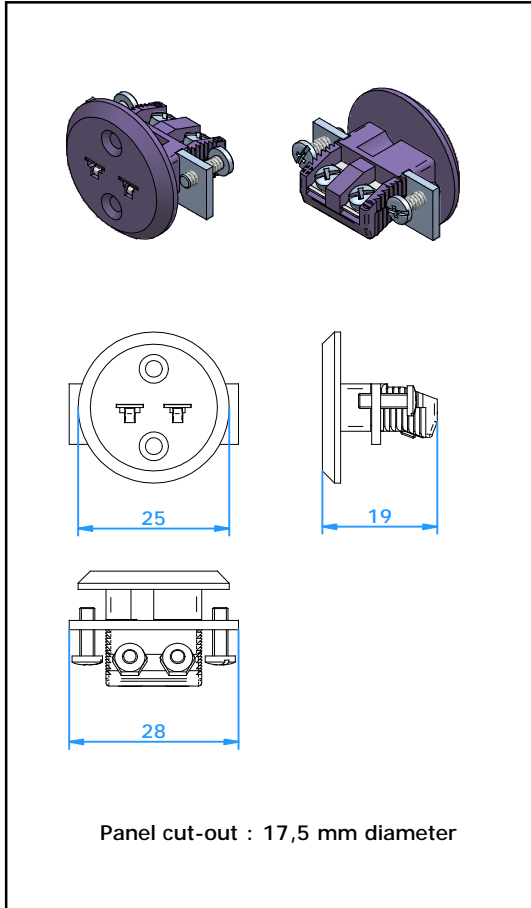
Ordering Code : **PMIR-xx**

For last two digits 'xx' see table below

Calibration Code	E	J	K	N	T	U	R/S	C	B
Compensation material for							Pt13Rh/ Pt	W5Re/ W26Re	Pt6Rh/ Pt30Rh
Material Positive	NiCr	Fe	NiCr	NiCrSi	Cu	Cu	Cu	CPX	Cu
Material Negative	CuNi	CuNi	NiAl	NiSi	CuNi	Cu	Alloy #11	CNX	Cu
IEC Color Code									
Color Body	Violet	Black	Green	Pink	Brown	White	Orange	Red	Grey
Code	EI	JI	KI	NI	TI	UI	RI	C	BI
ANSI Color Code									
Color Body	Violet	Black	Yellow	Orange	Blue	White	Green	Red	Grey
Code	EI	JI	KA	NA	TA	UI	RA	C	BI
DIN Color Code									
Color Body		Blue	Green		Brown		White		Grey
Code		JD	KI		TI		RD		BI

Panels

Miniature Panel Insert Round Bracket Mounting



Application

Panel insert for thermocouple and RTD circuits.

Suited for small wires. Mounting by means of two screws with a bracket behind the panel ¹⁾. Ideal panelinsert for instrument cases.

Construction

- Glass filled thermoplastic body with original thermocouple material pins and springloaded inserts.
- Polarized pins ensure proper connection.
- Easy wire connection through sandwich construction.
- Molded barriers prevent short circuit.
- Rugged one body design.
- Polarity indication on body
- Stainless steel screws and bracket for rear mounting

Wire size

- Accepts wires from 0,002 mm to 0,6 mm.

Temperature rating

- 200 °C Max.

Color Code

- Available in all color code standards. Incl. NFE, BS, JIS, etc.

Accessories

- Panel Punch for 11/16" – 17,5 mm, partnr. 20.366

Note

¹⁾ For other mounting options please see separate specification sheet for PMIR-xx and PMIRC-xx.

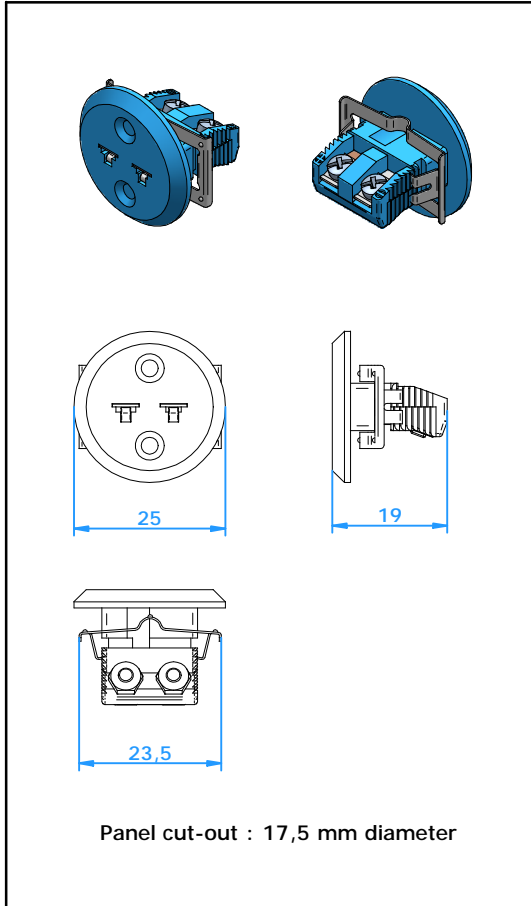
Ordering Code : **PMIRB-xx**

For last two digits 'xx' see table below

Calibration Code	E	J	K	N	T	U	R/S	C	B
Compensation material for							Pt13Rh/ Pt	W5Re/ W26Re	Pt6Rh/ Pt30Rh
Material Positive	NiCr	Fe	NiCr	NiCrSi	Cu	Cu	Cu	CPX	Cu
Material Negative	CuNi	CuNi	NiAl	NiSi	CuNi	Cu	Alloy #11	CNX	Cu
IEC Color Code									
Color Body	Violet	Black	Green	Pink	Brown	White	Orange	Red	Grey
Code	EI	JI	KI	NI	TI	UI	RI	C	BI
ANSI Color Code									
Color Body	Violet	Black	Yellow	Orange	Blue	White	Green	Red	Grey
Code	EI	JI	KA	NA	TA	UI	RA	C	BI
DIN Color Code									
Color Body		Blue	Green		Brown		White		Grey
Code		JD	KI		TI		RD		BI

Panels

Miniature Panel Insert Round Clipspring Mounting



Application

Panel insert for thermocouple and RTD circuits. Suited for small wires. Mounting by means of easy to use self gripping clip¹⁾. Ideal panelinsert for instrument cases.

Construction

- Glass filled thermoplastic body with original thermocouple material pins and springloaded inserts.
- Polarized pins ensure proper connection.
- Easy wire connection through sandwich construction.
- Molded barriers prevent short circuit.
- Rugged one body design.
- Polarity indication on body
- Stainless steel clipspring for rear mounting

Wire size

- Accepts wires from 0,002 mm to 0,6 mm.

Temperature rating

- 200 °C Max.

Color Code

- Available in all color code standards. Incl. NFE, BS, JIS, etc.

Accessories

- Panel Punch for 11/16" – 17,5 mm, partnr. 20.366

Note

¹⁾ For other mounting options please see separate specification sheet for PMIR-xx and PMIRB-xx.

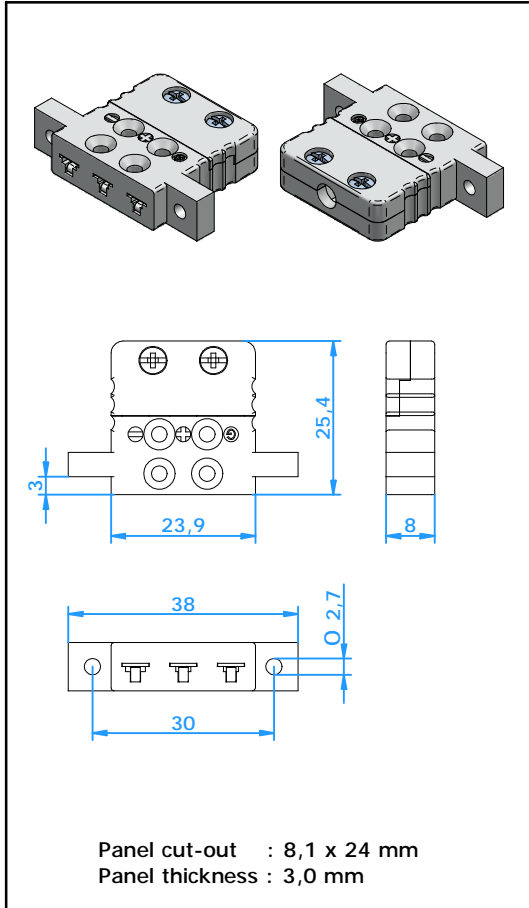
Ordering Code : **PMIRC-xx**

For last two digits 'xx' see table below

Calibration Code	E	J	K	N	T	U	R/S	C	B
Compensation material for							Pt13Rh/ Pt	W5Re/ W26Re	Pt6Rh/ Pt30Rh
Material Positive	NiCr	Fe	NiCr	NiCrSi	Cu	Cu	Cu	CPX	Cu
Material Negative	CuNi	CuNi	NiAl	NiSi	CuNi	Cu	Alloy #11	CNX	Cu
IEC Color Code									
Color Body	Violet	Black	Green	Pink	Brown	White	Orange	Red	Grey
Code	EI	JJ	KI	NI	TI	UI	RI	C	BI
ANSI Color Code									
Color Body	Violet	Black	Yellow	Orange	Blue	White	Green	Red	Grey
Code	EI	JJ	KA	NA	TA	UI	RA	C	BI
DIN Color Code									
Color Body		Blue	Green		Brown		White		Grey
Code		JD	KI		TI		RD		BI

Panels

Miniature Panel Insert Three Pin Lugged



Application

Panel insert for thermocouple and RTD circuits. Suited for small wires and mineral insulated cable. Third connection for ground or continuous shield or for three wire RTD's. Can be mounted in a single circuit version or in rows in customer panel. Mounting by means of two M 2,5 screws.

Construction

- Glass filled thermoplastic body with original thermocouple material pins and springloaded inserts.
- Polarized pins ensure proper connection.
- Easy wire connection through sandwich construction.
- Molded barriers prevent short circuit.
- Rugged one body design.

Wire size

- Accepts wires from 0,002 mm to 0,6 mm.
- Maximum cable diameter 4,5 mm.

Temperature rating

- 200 °C Max.

Color Code

- Available in all color code standards. Incl. NFE, BS, JIS, etc.

Accessories

- Most accessories for the miniature connectors can be fitted. See separate specification sheet.

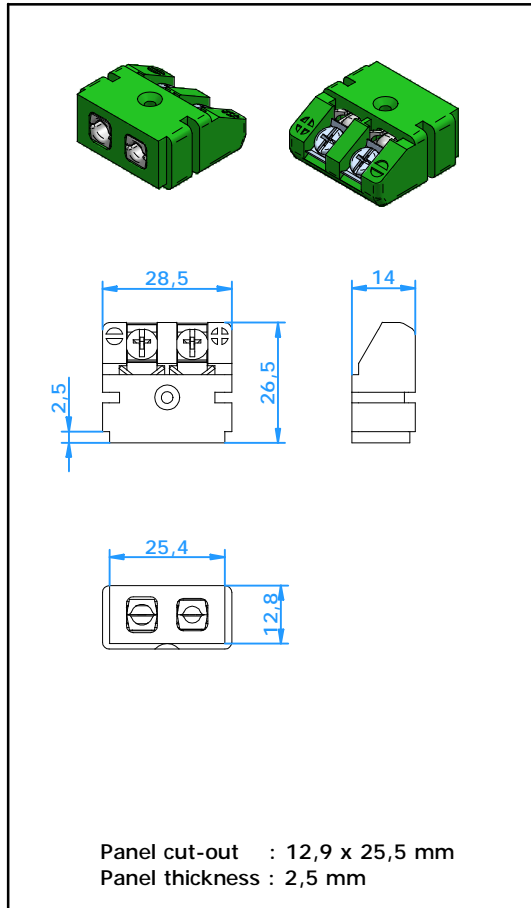
Ordering Code : PMITL-xx

For last two digits 'xx' see table below

Calibration Code	E	J	K	N	T	U	R/S	C	B
Compensation material for Material Positive	NiCr	Fe	NiCr	NiCrSi	Cu	Cu	Pt13Rh/ Pt	W5Re/ W26Re	Pt6Rh/ Pt30Rh
Material Negative	CuNi	CuNi	NiAl	NiSi	CuNi	Cu	Cu Alloy #11	CPX CNX	Cu Cu
IEC Color Code	Violet	Black	Green	Pink	Brown	White	Orange	Red	Grey
Color Body Code	EI	JI	KI	NI	TI	UI	RI	C	BI
ANSI Color Code	Violet	Black	Yellow	Orange	Blue	White	Green	Red	Grey
Color Body Code	EI	JI	KA	NA	TA	UI	RA	C	BI
DIN Color Code		Blue	Green		Brown		White		Grey
Color Body Code		JD	KI		TI		RD		BI

Panels

Standard Panel Insert



Application

Panel insert for thermocouple and RTD circuits.
Specially designed to be used together with Hamitherm panel sets.

Construction

- Glass filled thermoplastic body with original thermocouple material pins and springloaded inserts.
- Polarized pins.
- Molded barriers prevent short circuit.
- Polarity indication next to connection screws.

Wire size

- Accepts wires from 0,2 mm to 2,0 mm.

Temperature rating

- 200 °C Max.

Color Code

- Available in all color code standards. Incl. NFE, BS, JIS, etc.

Accessories

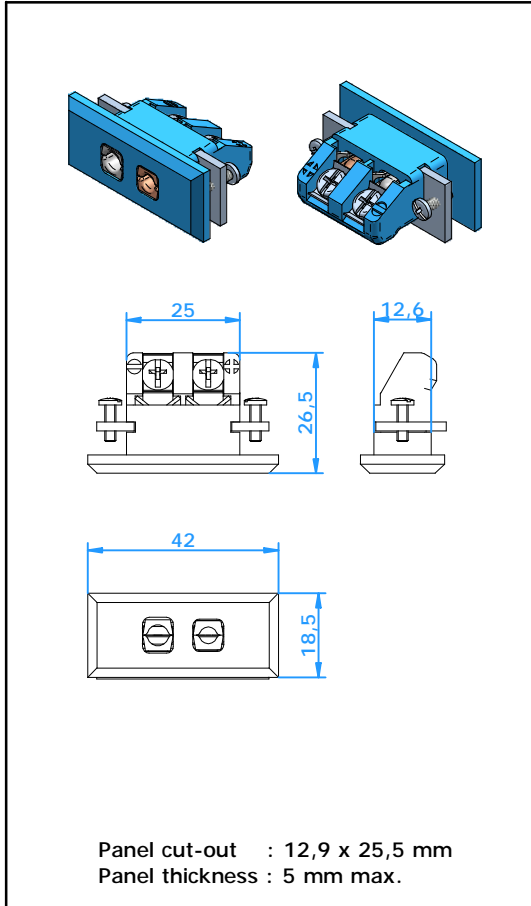
- Should be used with panel sets. Please see separate specification sheet.

Ordering Code : **PSI-xx** For last two digits 'xx' see table below

Calibration Code	E	J	K	N	T	U	R/S	C	B
Compensation material for							Pt13Rh/ Pt	W5Re/ W26Re	Pt6Rh/ Pt30Rh
Material Positive	NiCr	Fe	NiCr	NiCrSi	Cu	Cu	Cu	CPX	Cu
Material Negative	CuNi	CuNi	NiAl	NiSi	CuNi	Cu	Alloy #11	CNX	Cu
IEC Color Code									
Color Body	Violet	Black	Green	Pink	Brown	White	Orange	Red	Grey
Code	EI	JI	KI	NI	TI	UI	RI	C	BI
ANSI Color Code									
Color Body	Violet	Black	Yellow	Orange	Blue	White	Green	Red	Grey
Code	EI	JI	KA	NA	TA	UI	RA	C	BI
DIN Color Code									
Color Body		Blue	Green		Brown		White		Grey
Code		JD	KI		TI		RD		BI

Panels

Standard Panel Insert Flanged Bracket Mounting



Application

Panel insert for thermocouple and RTD circuits. Mounting by means of a stainless steel bracket and two screws.

Construction

- Glass filled thermoplastic body with original thermocouple material pins and springloaded inserts.
- Polarized pins ensure proper connection.
- Molded barriers prevent short circuit.
- Polarity indication on the body
- Rugged one body design.
- Stainless steel screws and bracket for rear mounting (also available with metal spring-clip)

Wire size

- Accepts wires from 0,2 mm to 2,0 mm.

Temperature Rating

- 200 °C Max.

Color Code:

- Available in all color code standards, incl. NFE, BS, JIS, etc.

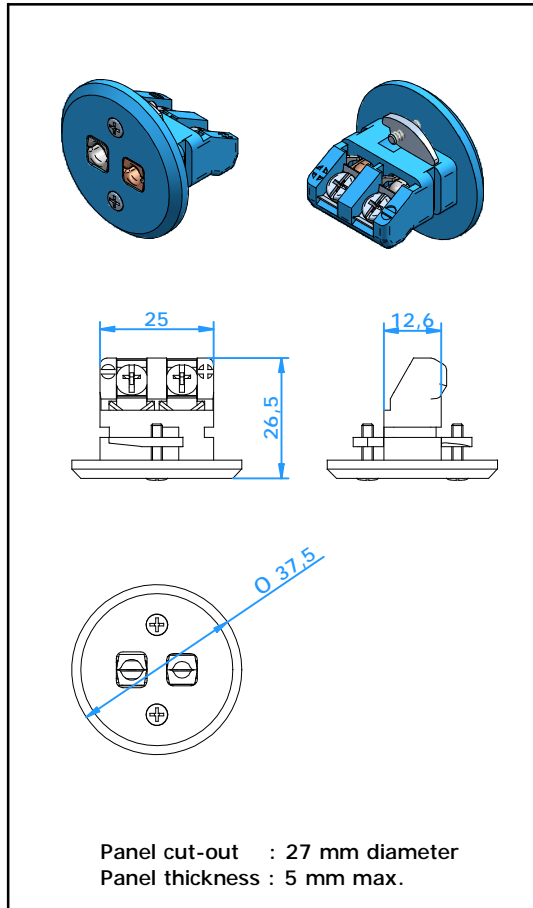
Ordering Code : PSIFB-xx
PSIF-xx

For last two digits 'xx' see table below
spring clip mounting

Calibration Code	E	J	K	N	T	U	R/S	C	B
Compensation material for Material Positive							Pt13Rh/ Pt	W5Re/ W26Re	Pt6Rh/ Pt30Rh
Material Negative	NiCr CuNi	Fe CuNi	NiCr NiAl	NiCrSi NiSi	Cu CuNi	Cu Cu	Cu Alloy #11	CPX CNX	Cu Cu
IEC Color Code									
Color Body	Violet	Black	Green	Pink	Brown	White	Orange	Red	Grey
Code	EI	JI	KI	NI	TI	UI	RI	C	BI
ANSI Color Code									
Color Body	Violet	Black	Yellow	Orange	Blue	White	Green	Red	Grey
Code	EI	JI	KA	NA	TA	UI	RA	C	BI
DIN Color Code									
Color Body		Blue	Green		Brown		White		Grey
Code		JD	KI		TI		RD		BI

Panels

Standard Panel Insert Round Direct Mounting



Application

Panel insert for thermocouple and RTD circuits. Mounting by means of two screws at the front¹⁾.

Construction

- Glass filled thermoplastic body with original thermocouple material pins and springloaded inserts.
- Polarized pins ensure proper connection.
- Easy wire connection through sandwich construction.
- Molded barriers prevent short circuit.
- Rugged one body design.
- Polarity indication on body
- Stainless steel screws and brackets for front mounting¹⁾

Wire size

- Accepts wires from 0,2 mm to 2,0 mm.

Temperature Rating

- 200 °C Max.

Color Code

- Available in all color code standards, incl. NFE, BS, JIS, etc.

Accessories

- Panel Punch for 27 mm, partnr. 20.367

Note

¹⁾ For other mounting options please see separate specification sheet for PSIRB-xx.

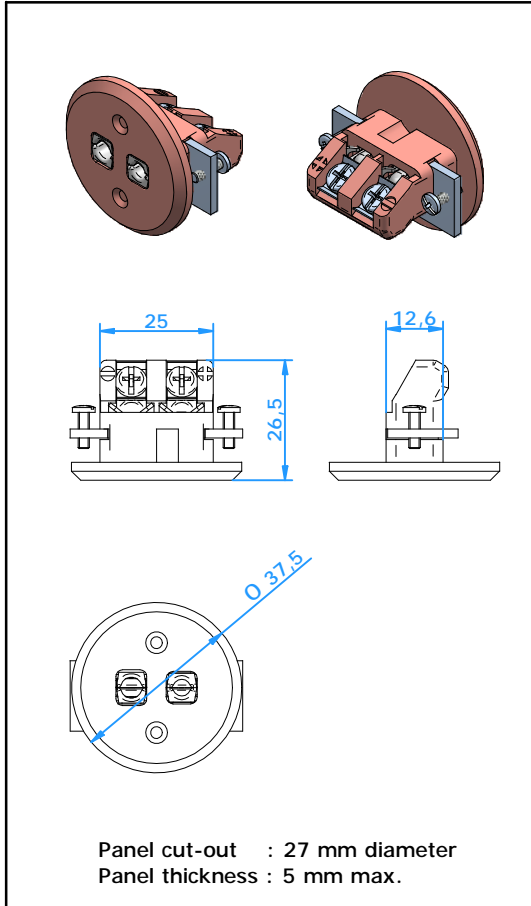
Ordering Code : PSIR-xx

For last two digits 'xx' see table below

Calibration Code	E	J	K	N	T	U	R/S	C	B
Compensation material for Material Positive	NiCr	Fe	NiCr	NiCrSi	Cu	Cu	Pt13Rh/ Pt	W5Re/ W26Re	Pt6Rh/ Pt30Rh
Material Negative	CuNi	CuNi	NiAl	NiSi	CuNi	Cu	Cu Alloy #11	CPX CNX	Cu Cu
IEC Color Code									
Color Body	Violet	Black	Green	Pink	Brown	White	Orange	Red	Grey
Code	EI	JI	KI	NI	TI	UI	RI	C	BI
ANSI Color Code									
Color Body	Violet	Black	Yellow	Orange	Blue	White	Green	Red	Grey
Code	EI	JI	KA	NA	TA	UI	RA	C	BI
DIN Color Code									
Color Body		Blue	Green		Brown		White		Grey
Code		JD	KI		TI		RD		BI

Panels

Standard Panel Insert Round Bracket Mounting



Application

Panel insert for thermocouple and RTD circuits.
Suited for small wires. Mounting by means of two screws with a bracket behind the panel ¹⁾.

Construction

- Glass filled thermoplastic body with original thermocouple material pins and springloaded inserts.
- Polarized pins ensure proper connection.
- Easy wire connection through sandwich construction.
- Molded barriers prevent short circuit.
- Rugged one body design.
- Polarity indication on body
- Stainless steel screws and bracket for rear mounting ¹⁾

Wire size

- Accepts wires from 0,2 mm to 2,0 mm.

Temperature Rating

- 200 °C Max.

Color Code

- Available in all color code standards, incl. NFE, BS, JIS, etc.

Accessories

- Panel Punch for 27 mm, partnr. 20.367

Note

¹⁾ For other mounting options please see separate specification sheet for PSIR-xx.

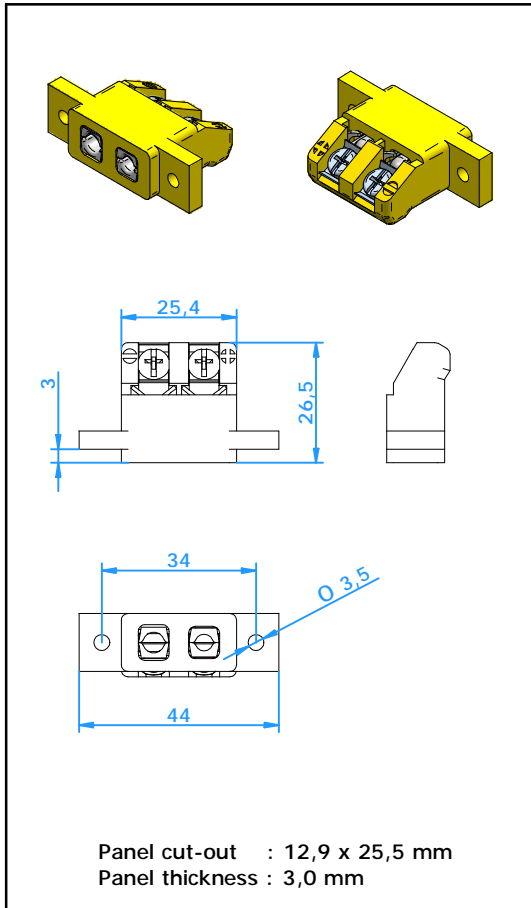
Ordering Code : PSIRB-xx

For last two digits 'xx' see table below

Calibration Code	E	J	K	N	T	U	R/S	C	B
Compensation material for Material Positive	NiCr	Fe	NiCr	NiCrSi	Cu	Cu	Pt13Rh/ Pt	W5Re/ W26Re	Pt6Rh/ Pt30Rh
Material Negative	CuNi	CuNi	NiAl	NiSi	CuNi	Cu	Alloy #11	CPX CNX	Cu Cu
IEC Color Code									
Color Body	Violet	Black	Green	Pink	Brown	White	Orange	Red	Grey
Code	EI	JI	KI	NI	TI	UI	RI	C	BI
ANSI Color Code									
Color Body	Violet	Black	Yellow	Orange	Blue	White	Green	Red	Grey
Code	EI	JI	KA	NA	TA	UI	RA	C	BI
DIN Color Code									
Color Body		Blue	Green		Brown		White		Grey
Code		JD	KI		TI		RD		BI

Panels

Standard Panel Insert Lugged



Application

Panel insert for thermocouple and RTD circuits.
Can be mounted in a single circuit version or in rows in customer panels. Mounting by means of two M3 screws.

Construction

- Glass filled thermoplastic body with original thermocouple material pins and springloaded inserts.
- Polarized pins.
- Molded barriers prevent short circuit.
- Polarity indication next to connection screws.

Wire size

- Accepts wires from 0,2 mm to 2,0 mm.

Temperature rating

- 200 °C Max.

Color Code

- Available in all color code standards. Incl. NFE, BS, JIS, etc.

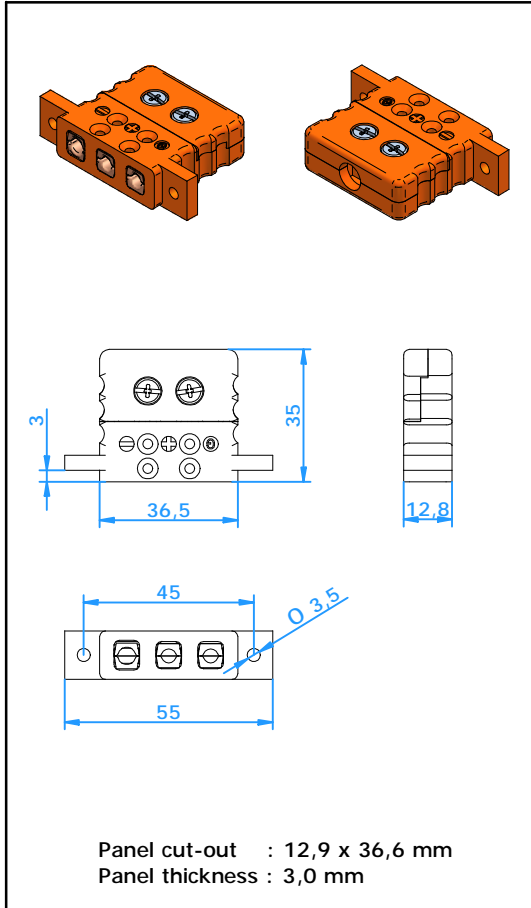
Ordering Code : PSIL-xx

For last two digits 'xx' see table below

Calibration Code	E	J	K	N	T	U	R/S	C	B
Compensation material for Material Positive	NiCr	Fe	NiCr	NiCrSi	Cu	Cu	Pt13Rh/ Pt	W5Re/ W26Re	Pt6Rh/ Pt30Rh
Material Negative	CuNi	CuNi	NiAl	NiSi	CuNi	Cu	Cu Alloy #11	CPX CNX	Cu Cu
IEC Color Code									
Color Body	Violet	Black	Green	Pink	Brown	White	Orange	Red	Grey
Code	EI	JI	KI	NI	TI	UI	RI	C	BI
ANSI Color Code									
Color Body	Violet	Black	Yellow	Orange	Blue	White	Green	Red	Grey
Code	EI	JI	KA	NA	TA	UI	RA	C	BI
DIN Color Code									
Color Body		Blue	Green		Brown		White		Grey
Code		JD	KI		TI		RD		BI

Panels

Standard Panel Insert Three Pin Lugged



Application

Panel insert for thermocouple and RTD circuits. Third connection for ground or continuous shield or for three wire RTD's. Can be mounted in a single circuit version or in rows in customer panel. Mounting by means of two M3 screws.

Construction

- Glass filled thermoplastic body with original thermocouple material pins and springloaded inserts.
- Polarized pins ensure proper connection.
- Central cover screw design for quick wiring.
- Molded barriers prevent short circuit.
- Captive cover screw for easy assembly.

Wire size

- Accepts wires from 0,2 mm to 2,0 mm.
- Maximum cable diameter 8,0 mm.

Temperature rating

- 200 °C Max.

Color Code

- Available in all color code standards. Incl. NFE, BS, JIS, etc.

Accessories

Most accessories for the standard connectors can be fitted. See separate specification sheet.

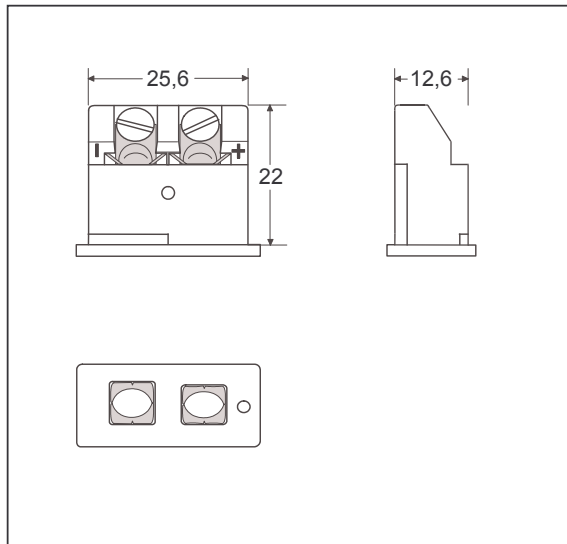
Ordering Code : PSITL-xx

For last two digits 'xx' see table below

Calibration Code	E	J	K	N	T	U	R/S	C	B
Compensation material for							Pt13Rh/	W5Re/	Pt6Rh/
Material Positive							Pt	W26Re	Pt30Rh
Material Negative	NiCr	Fe	NiCr	NiCrSi	Cu	Cu	Cu	CPX	Cu
	CuNi	CuNi	NiAl	NiSi	CuNi	Cu	Alloy #11	CNX	Cu
IEC Color Code									
Color Body	Violet	Black	Green	Pink	Brown	White	Orange	Red	Grey
Code	EI	JI	KI	NI	TI	UI	RI	C	BI
ANSI Color Code									
Color Body	Violet	Black	Yellow	Orange	Blue	White	Green	Red	Grey
Code	EI	JI	KA	NA	TA	UI	RA	C	BI
DIN Color Code									
Color Body		Blue	Green		Brown		White		Grey
Code		JD	KI		TI		RD		BI

Panels

Standard Panel Insert High Temperature



Application: Panel insert for thermocouple and RTD circuits.

Construction:

- Glass filled thermosetting with original thermocouple material pins and springloaded inserts.
- Polarized pins.
- Molded barriers prevent short circuit.
- Polarity indication next to connection screws.

Wire size:

- Accepts wires from 0,2 mm to 2,0 mm.

Temperature rating:

- 350 Deg. C Max.

Color Code:

- Body color brown. Calibration indication by colored dot.

Accessories:

- Can be offered as a complete high temperature panel for six circuits. See separate specification sheet.

Ordering Code Plug: PSIH-xx

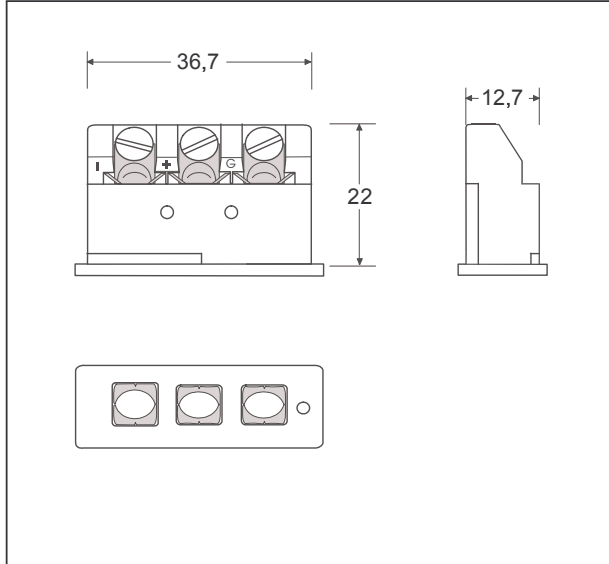
For last two digits 'xx' see table below

Example : PSIH-KI = Panel Insert Std. High Temp.Type K Green

Calibration Code	E	J	K	N	T	U	R/S	C	B
Compensation material for							Pt13Rh/ Pt	W5Re/ W26Re	Pt6Rh/ Pt30Rh
Material Positive	NiCr	Fe	NiCr	NiCrSi	Cu	Cu	Cu	CPX	Cu
Material Negative	CuNi	CuNi	NiAl	NiSi	CuNi	Cu	Alloy #11	CNX	Cu
IEC Color Code									
Color Dot	Violet	Black	Green	Pink	Brown	White	Orange	Red	Grey
Code	EI	JI	KI	NI	TI	UI	RI	C	BI
ANSI Color Code									
Color Dot	Violet	Black	Yellow	Orange	Blue	White	Green	Red	Grey
Code	EI	JI	KA	NA	TA	UI	RA	C	BI
DIN Color Code									
Color Dot		Blue	Green		Brown		White		Grey
Code		JD	KI		TI		RD		BI

Panels

Standard Three Pin Panel Insert High Temperature



Application: Panel insert for thermocouple and RTD circuits.

Third connection for ground or continuous shield connection or for three wire RTD's.

Construction:

- Glass filled thermosetting body with original thermocouple material pins and springloaded inserts.
- Polarized pins.
- Molded barriers prevent short circuit.
- Polarity indication next to connection screws.

Wire size:

- Accepts wires from 0,2 mm to 2,0 mm.

Temperature rating:

- 350 Deg. C Max.

Color Code:

- Body color black. Calibration indication by colored dot.

Accessories:

- Can be offered as a complete high temperature panel for six circuits. See separate specification sheet.

Ordering Code

Plug: PSITH-xx

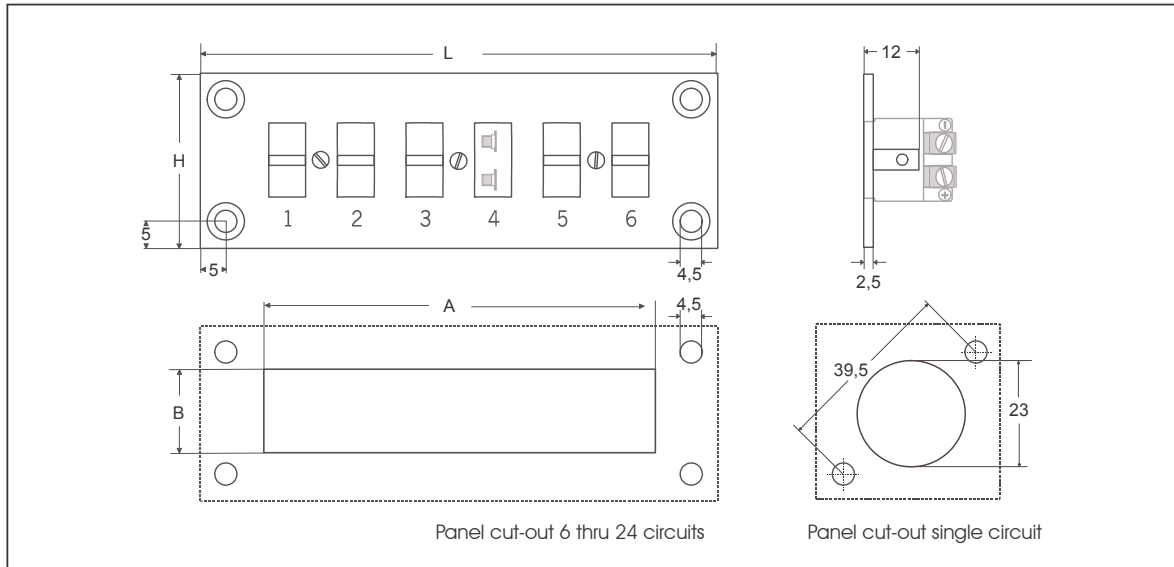
For last two digits 'xx' see table below

Example : PSITH-KI = Panel Insert Std. High Temp 3-Pin
Type K Green

Calibration Code	E	J	K	N	T	U	R/S	C	B
Compensation material for							Pt13Rh/ Pt	W5Re/ W26Re	Pt6Rh/ Pt30Rh
Material Positive	NiCr	Fe	NiCr	NiCrSi	Cu	Cu	Cu	CPX	Cu
Material Negative	CuNi	CuNi	NiAl	NiSi	CuNi	Cu	Alloy #11	CNX	Cu
IEC Color Code									
Color Body	Violet	Black	Green	Pink	Brown	White	Orange	Red	Grey
Code	EI	JI	KI	NI	TI	UI	RI	C	BI
ANSI Color Code									
Color Body	Violet	Black	Yellow	Orange	Blue	White	Green	Red	Grey
Code	EI	JI	KA	NA	TA	UI	RA	C	BI
DIN Color Code									
Color Body		Blue	Green		Brown		White		Grey
Code		JD	KI		TI		RD		BI

Panels

Miniature Panel Set Horizontal



Application: Together with the standard panel insert model PMI, the panel set form a complete panel assembly for mounting in control rooms, test stands, laboratory applications, pilot plants, etc.

Construction:

- Aluminium front panel anodized for full corrosion protection.
- All circuits indentified thru scratchproof numbering.
- Stainless steel bar and brass nickel plated screws for professional appearance.
- Mounting construction will make it impossible to dislodge insert from panel.

- Angled screws on the insert will allow wiring of the panel after mounting. This prevents the necessity of removing the complete panel or one insert in order to change the wiring on one insert.
- Available in 1, 6, 12 and 24 circuit version. Other versions available on request.

Wire size:

- Accepts wires from 0,002 mm to 0,6 mm.

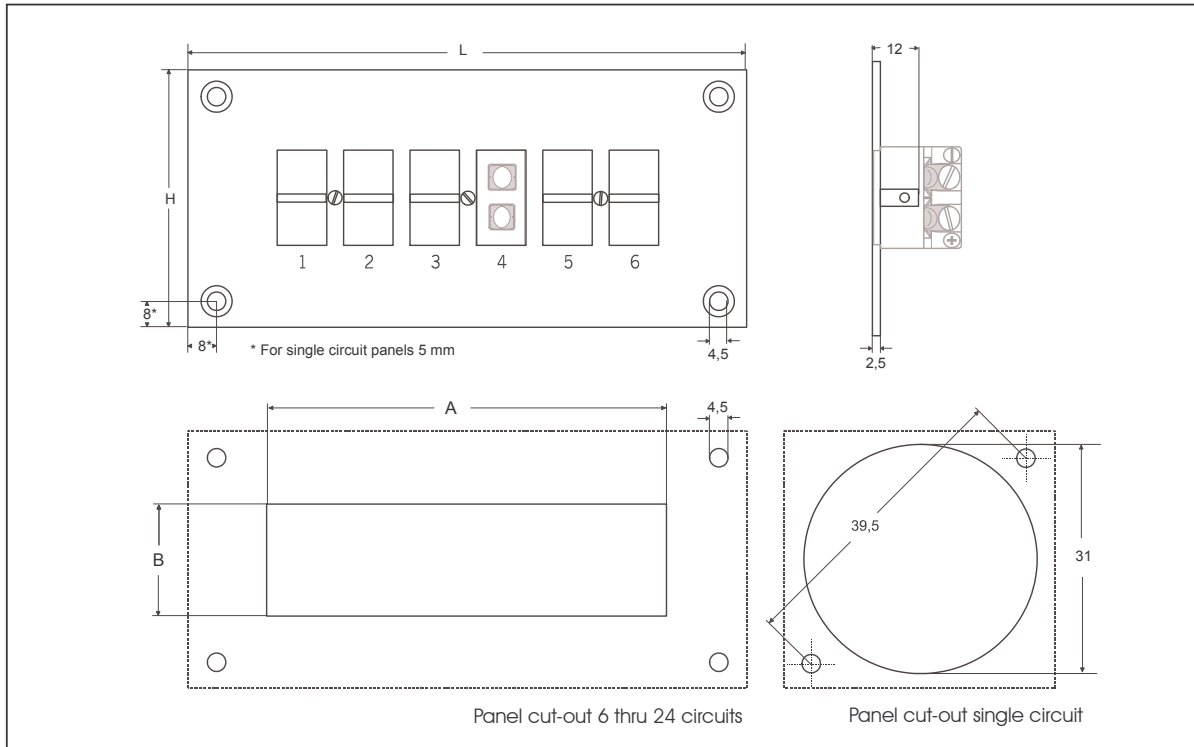
Temperature rating:

- 200 Deg. C Max.

Number of circuits	1	6	12	24
Number of rows	1	1	1	2
Dimension LxH	38 x 38	113 x 38	203 x 38	203 x 76
Panel cut-out AxB		90 x 22	180 x 22	180 x 60
Part Number: BM-	20.052-1	20.052-2	20.052-3	20.052-4

Panels

Standard Panel Set Horizontal



Application: Together with the standard panel insert model PSI, the panel set forms a complete panel assembly for mounting in control rooms, test stands, laboratory applications, pilot plants, etc.

Construction:

- Aluminium front panel anodized for full corrosion protection.
- All circuits identified thru scratchproof numbering.
- Stainless steel bar and brass nickel plated screws for professional appearance.
- Mounting construction will make it impossible to dislodge insert from panel.

- Angled screws on the insert will allow wiring of the panel after mounting. This prevents the necessity of removing the complete panel or one insert in order to change the wiring on one insert.
- Available in 1, 6, 12 and 24 circuit version. Other versions available on request.

Wire size:

- Accepts wires from 0,2 mm to 2,0 mm.

Temperature rating:

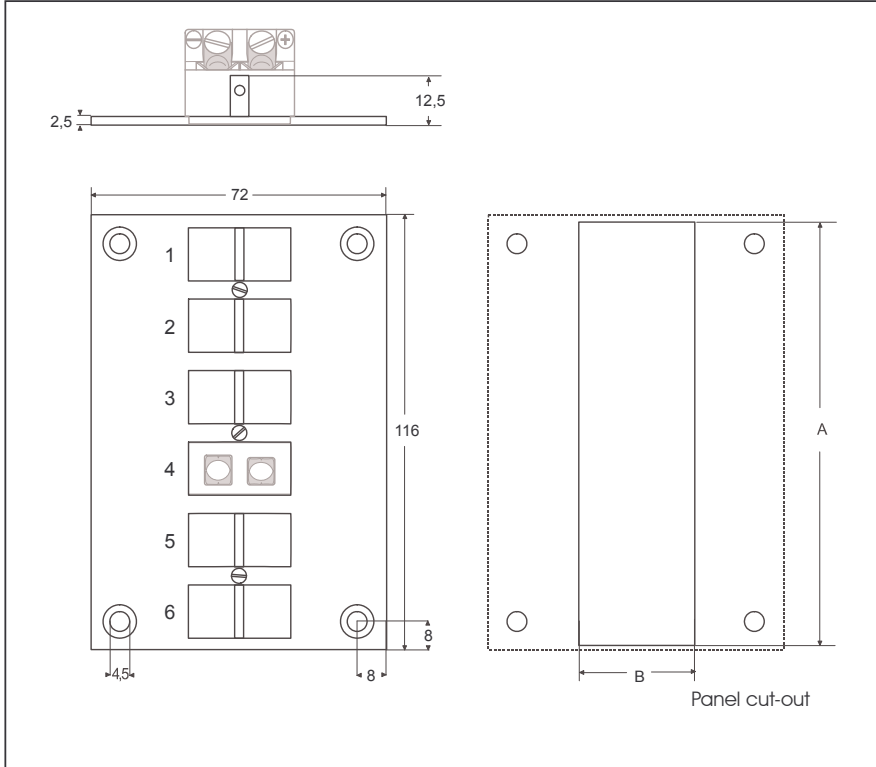
- 200 Deg. C Max.

01-08-07

Number of circuits	1	6	12	24
Number of rows	1	1	1	2
Dimension L x H	38 x 38	146 x 67	260 x 67	260 x 115
Panel cut-out AxB		116 x 40	230 x 40	230 x 88
Part Number	BM-20.059-1	BM-20.059-2	BM-20.059-3	BM-20.059-4

Panels

Standard Panel Set Vertical



Application: Together with the standard panel insert model PSI, the panel set forms a complete panel assembly for mounting in control rooms, test stands, laboratory applications, pilot plants, etc.

Construction:

- Aluminium front panel anodized for full corrosion protection
- All circuits identified thru scratchproof numbering.
- Stainless steel bar and brass nickel plated screws for professional appearance.
- Mounting construction will make it impossible to dislodge insert from panel.

- Angled screws on the insert will allow wiring of the panel after mounting. This prevents the necessity of removing the complete panel or one insert in order to change the wiring on one insert.
- Available in 1 thru 6 circuit version.

Wire size:

- Accepts wires from 0,2 mm to 2,0 mm.

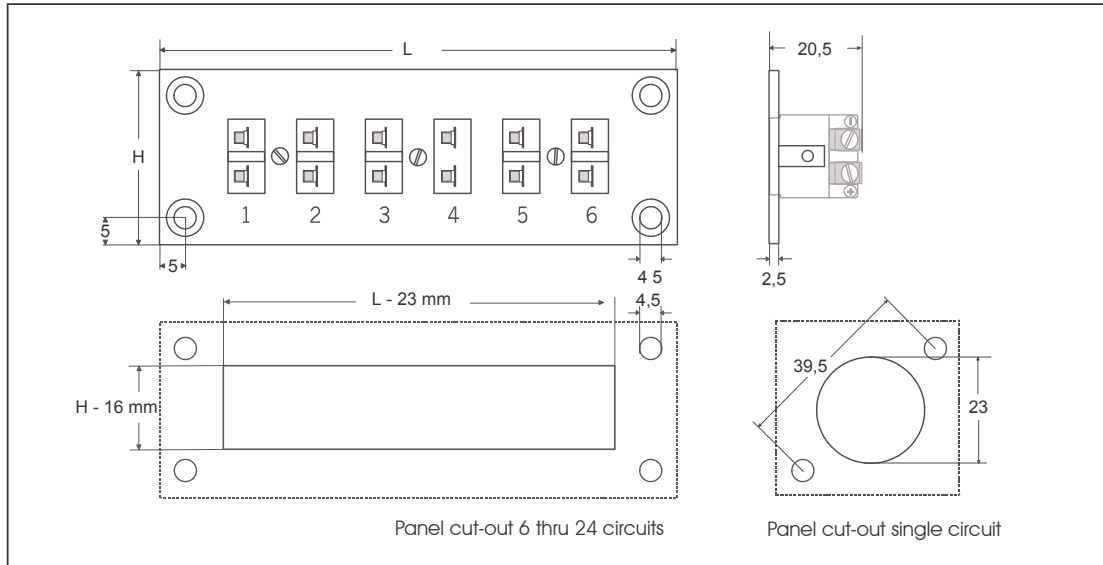
Temperature rating:

200 Deg. C Max.

Number of circuits	1	2	3	4	5	6
Part Number	BM-20.060-1	BM-20.060-2	BM-20.060-3	BM-20.060-4	BM-20.060-5	BM-20.060-6
Panel cut-out A x B	30 x 40	50 x 40	62 x 40	80 x 40	94 x 40	112 x 40

Panels

Miniature Panel Horizontal



Application: Panel Assembly for thermocouple and RTD circuits for mounting in control rooms, test stands, laboratory applications, pilot plants, etc.

Construction:

- Aluminium front panel anodized for full corrosion protection.
- All circuits identified thru scratchproof numbering.
- Stainless steel bar and brass nickel plated screws for professional appearance.
- Mounting construction will make it impossible to dislodge insert from panel.

- Angled screws on the insert will allow wiring of the panel after mounting. This prevents the necessity of removing the complete panel or one insert in order to change the wiring on one insert.
- Available in 1, 3, 6, 8, 12, 18 and 24 circuit version. Other versions available on request.
- Flush surface for easy cleaning.

Wire size:

- Accepts wires from 0,002 mm to 0,6 mm.

Temperature rating:

- 200 Deg. C Max.

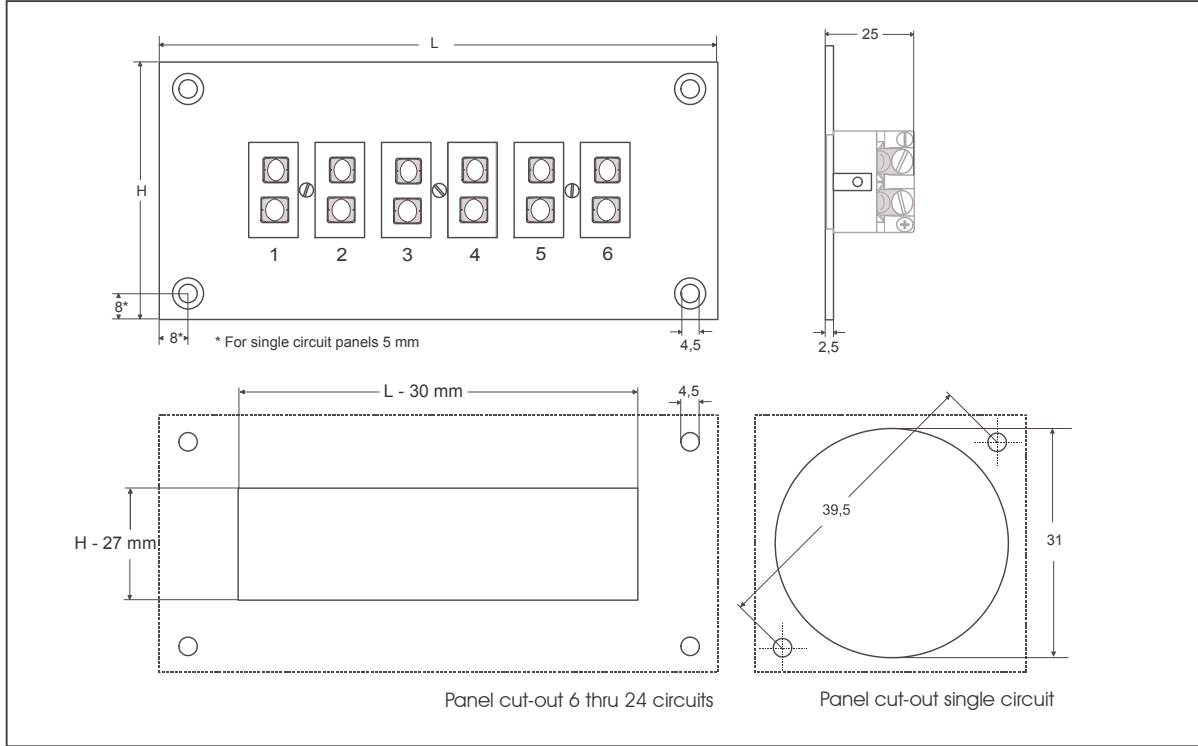
Ordering Code PAM-xx For last two digits 'xx' see table below

Calibration Code	E	J	K	N	T	U	R/S	C	B		
Compensation material for							Pt13Rh/ Pt	W5Re/ W26Re	Pt6Rh/ Pt30Rh		
Contact Material Positive	NiCr	Fe	NiCr	NiCrSi	Cu	Cu	Cu	CPX	Cu		
Contact Material Negative	CuNi	CuNi	NiAl	NiSi	CuNi	Cu	Alloy #11	CNX	Cu		
IEC Color Code											
Color Insert Body	Violet	Black	Green	Pink	Brown	White	Orange	Red	Grey		
Circuits	Rows	Dimensions L x H									
1	1	38 x 38	1-EI	1-JI	1-KI	1-NI	1-TI	1-UI	1-RI	1-C	1-BI
3	1	76 x 38	3-EI	3-JI	3-KI	3-NI	3-TI	3-UI	3-RI	3-C	3-BI
6	1	113 x 38	6-EI	6-JI	6-KI	6-NI	6-TI	6-UI	6-RI	6-C	6-BI
8	1	143 x 38	8-EI	8-JI	8-KI	8-NI	8-TI	8-UI	8-RI	8-C	8-BI
12	1	203 x 38	12-EI	12-JI	12-KI	12-NI	12-TI	12-UI	12-RI	12-C	12-BI
18	1	293 x 38	18-EI	18-JI	18-KI	18-NI	18-TI	18-UI	18-RI	18-C	18-BI
24	2	203 x 76	24-EI	24-JI	24-KI	24-NI	24-TI	24-UI	24-RI	24-C	24-BI

Note: For ANSI or DIN Color code replace last letter "T" with resp. "A" or "D".

Panels

Standard Panel Horizontal



Application: Panel assembly for thermocouple and RTD circuits for mounting in control rooms, test stands, laboratory applications, pilot plants, etc.

Wire size:

- Accepts wires from 0,2 mm to 2,0 mm.

Construction: This panel consists of the panel set BM-20.059-x fitted with the standard panel inserts PSI-... For further details see separate specification sheets.

Temperature rating:

- 200 Deg. C Max.

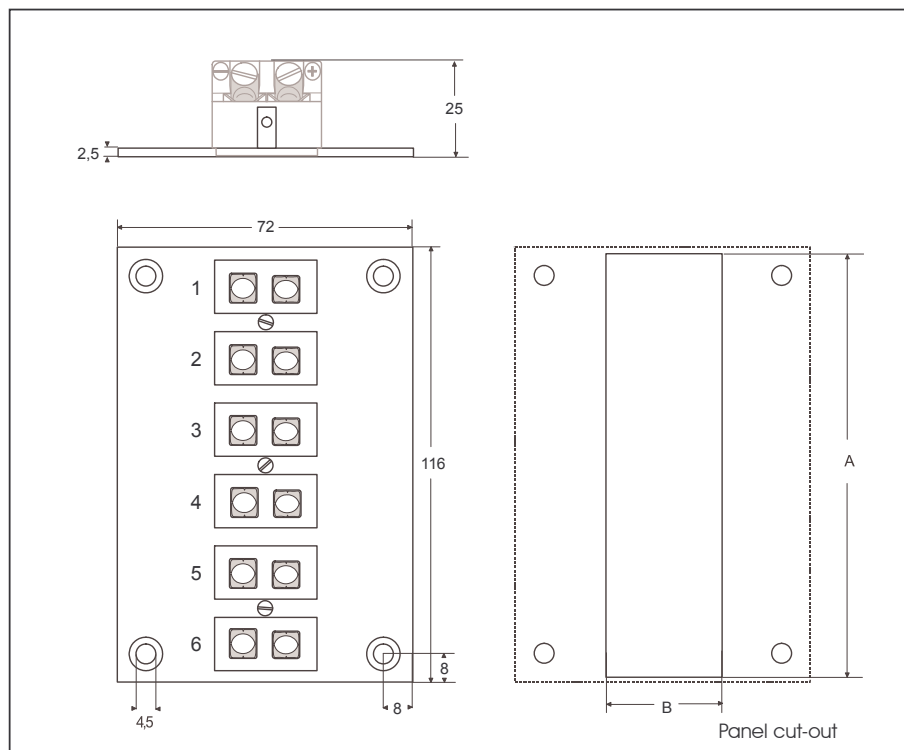
Ordering Code PAS-xx For last two digits 'xx' see table below

Calibration Code	E	J	K	N	T	U	R/S	C	B		
Compensation material for							Pt13Rh/ Pt	W5Re/ W26Re	Pt6Rh/ Pt30Rh		
Contact Material Positive	NiCr	Fe	NiCr	NiCrSi	Cu	Cu	Cu	CPX	Cu		
Contact Material Negative	CuNi	CuNi	NiAl	NiSi	CuNi	Cu	Alloy #11	CNX	Cu		
IEC Color Code											
Color Insert Body	Violet	Black	Green	Pink	Brown	White	Orange	Red	Grey		
Circuits	Rows	Dimensions L x H									
1	1	38 x 38	1-EI	1-JI	1-KI	1-NI	1-TI	1-UI	1-RI	1-C	1-BI
6	1	146 x 67	6-EI	6-JI	6-KI	6-NI	6-TI	6-UI	6-RI	6-C	6-BI
8	1	184 x 67	8-EI	8-JI	8-KI	8-NI	8-TI	8-UI	8-RI	8-C	8-BI
12	1	260 x 67	12-EI	12-JI	12-KI	12-NI	12-TI	12-UI	12-RI	12-C	12-BI
24	2	260 x 115	24-EI	24-JI	24-KI	24-NI	24-TI	24-UI	24-RI	24-C	24-BI

Note: For ANSI or DIN Color code replace last letter "I" with resp. "A" or "D".

Panels

Standard Panel Vertical



Application: Panel assembly for thermocouple and RTD circuits for mounting in control rooms, test stands, laboratory applications, pilot plants, etc.

Construction:

- Aluminium front panel anodized for full corrosion protection.
- All circuits identified thru scratchproof numbering.
- Stainless steel bar and brass nickel plated screws for professional appearance.
- Mounting construction will make it impossible to dislodge insert from panel.

- Angled screws on the insert will allow wiring of the panel after mounting. This prevents the necessity of removing the complete panel or one insert in order to change the wiring on one insert.
- Available in 1 thru 6 circuit version.
- Flush surface for easy cleaning.

Wire size:

- Accepts wires from 0,2 mm to 2,0 mm.

Temperature rating:

- 200 Deg. C Max.

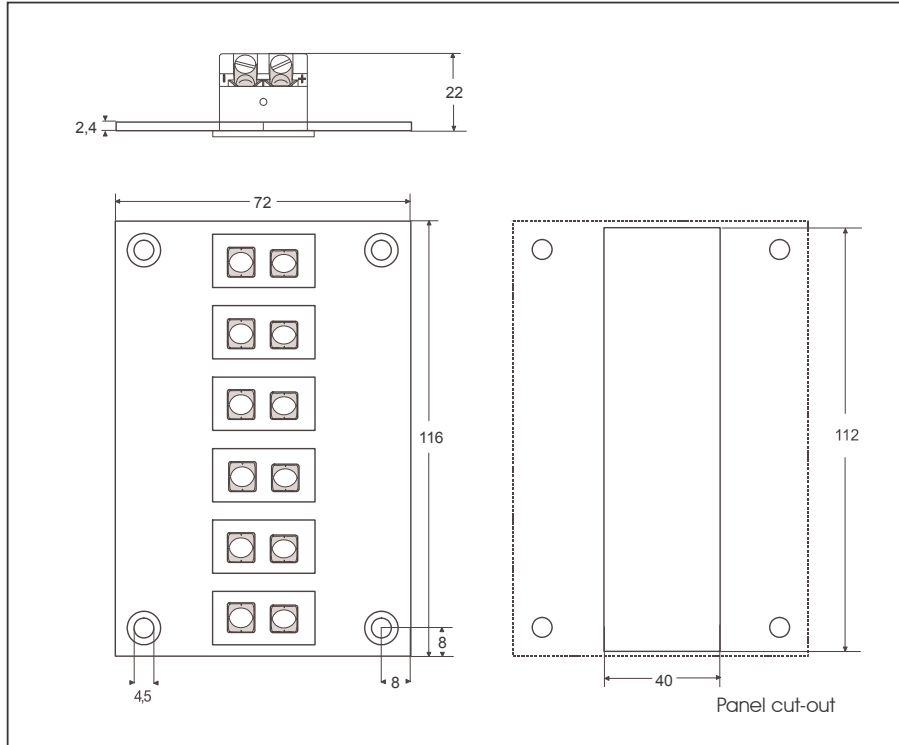
Ordering Code PAS-xx For last two digits 'xx' see table below

Calibration Code	E	J	K	N	T	U	R/S	C	B	
Compensation material for							Pt13Rh/ Pt	W5Re/ W26Re	Pt6Rh/ Pt30Rh	
Contact Material Positive	NiCr	Fe	NiCr	NiCrSi	Cu	Cu	Cu	CPX	Cu	
Contact Material Negative	CuNi	CuNi	NiAl	NiSi	CuNi	Cu	Alloy #11	CNX	Cu	
IEC Color Code										
Color Insert Body	Violet	Black	Green	Pink	Brown	White	Orange	Red	Grey	
Dimensions A x B										
1 circuit	30 x 40	1-EI	1-JI	1-KI	1-NI	1-TI	1-UI	1-RI	1-C	1-B
2 circuits	50 x 40	2-EI	2-JI	2-KI	2-NI	2-TI	2-UI	2-RI	2-C	2-BI
3 circuits	62 x 40	3-EI	3-JI	3-KI	3-NI	3-TI	3-UI	3-RI	3-C	3-BI
4 circuits	80 x 40	4-EI	4-JI	4-KI	4-NI	4-TI	4-UI	4-RI	4-C	4-BI
5 circuits	94 x 40	5-EI	5-JI	5-KI	5-NI	5-TI	5-UI	5-RI	5-C	5-BI
6 circuits	112 x 40	6-EI	6-JI	6-KI	6-NI	6-TI	6-UI	6-RI	6-C	6-BI

Note: For ANSI or DIN Color code replace last letter "T" with resp. "A" or "D".

Panels

Standard Panel Vertical High Temperature



Application: Panel assembly for thermocouple and RTD circuits for mounting in control rooms, test stands, laboratory applications, pilot plants, etc.

Construction:

- Stainless Steel front panel for full corrosion protection.
- Stainless steel bar to fix the panel inserts.
- Mounting construction will make it impossible to dislodge insert from panel.
- Angled screws on the insert will allow wiring of the panel after mounting. This prevents the necessity of removing the complete panel or one insert in order to change the wiring on one insert.

Wire size:

- Accepts wires from 0,2 mm to 2,0 mm.

Temperature rating:

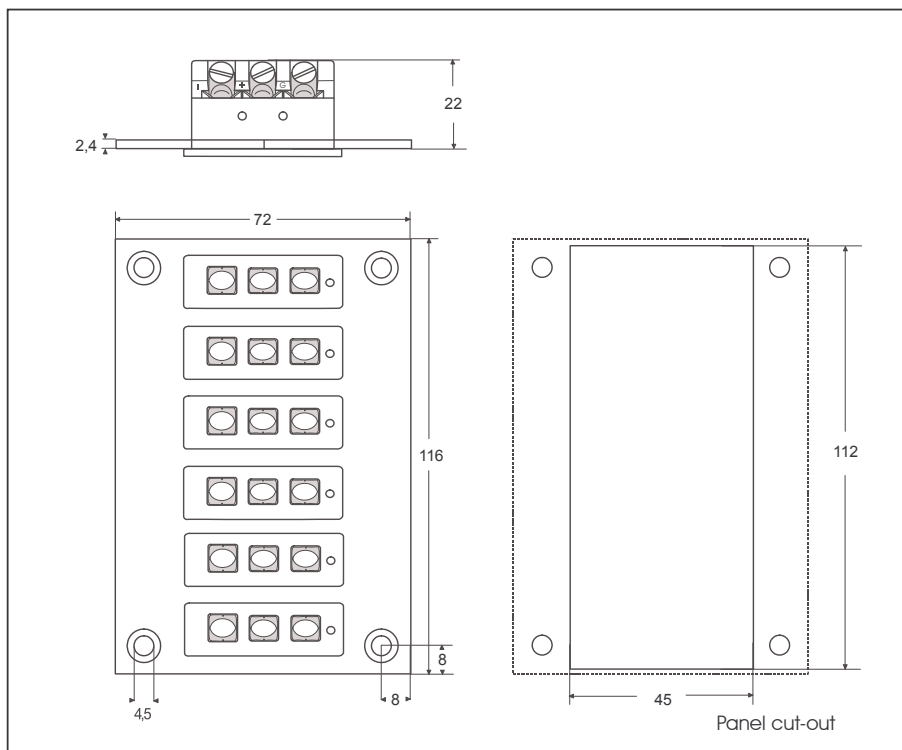
- 350 Deg. C Max.

Ordering Code **PASVH-xx** For last two digits 'xx' see table below

Calibration Code	E	J	K	N	T	U	R/S	C	B
Compensation material for							Pt13Rh/ Pt	W5Re/ W26Re	Pt6Rh/ Pt30Rh
Material Positive	NiCr	Fe	NiCr	NiCrSi	Cu	Cu	Cu	CPX	Cu
Material Negative	CuNi	CuNi	NiAl	NiSi	CuNi	Cu	Alloy #11	CNX	Cu
IEC Color Code									
Color Dot	Violet	Black	Green	Pink	Brown	White	Orange	Red	Grey
Code	EI	JI	KI	NI	TI	UI	RI	C	BI
ANSI Color Code									
Color Dot	Violet	Black	Yellow	Orange	Blue	White	Green	Red	Grey
Code	EI	JI	KA	NA	TA	UI	RA	C	BI
DIN Color Code									
Color Dot		Blue	Green		Brown		White		Grey
Code		JD	KI		TI		RD		BI

Panels

Standard Three Pin Panel Vertical High Temperature



Application: Panel assembly for thermocouple and RTD circuits for mounting in control rooms, test stands, laboratory applications, pilot plants, etc.

Construction:

- Stainless Steel front panel for full corrosion protection.
- Stainless steel bar to fix the panel inserts.
- Mounting construction will make it impossible to dislodge insert from panel.
- Angled screws on the insert will allow wiring of the panel after mounting. This prevents the necessity of removing the complete panel or one insert in order to change the wiring on one insert.

Wire size:

- Accepts wires from 0,2 mm to 2,0 mm.

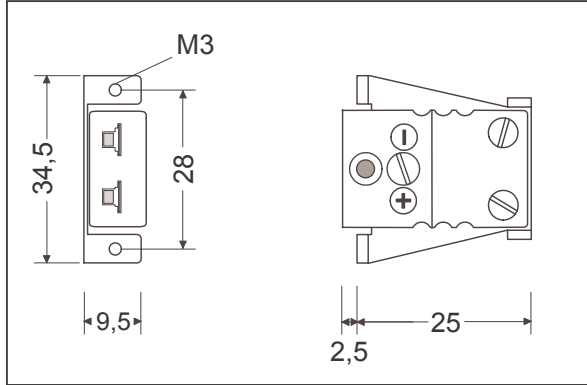
Temperature rating:

- 350 Deg. C Max.

Ordering Code **PASVHT-xx** For last two digits 'xx' see table below

Calibration Code	E	J	K	N	T	U	R/S	C	B
Compensation material for							Pt13Rh/ Pt	W5Re/ W26Re	Pt6Rh/ Pt30Rh
Material Positive	NiCr	Fe	NiCr	NiCrSi	Cu	Cu	Cu	CPX	Cu
Material Negative	CuNi	CuNi	NiAl	NiSi	CuNi	Cu	Alloy #11	CNX	Cu
IEC Color Code									
Color Dot	Violet	Black	Green	Pink	Brown	White	Orange	Red	Grey
Code	EI	JI	KI	NI	TI	UI	RI	C	BI
ANSI Color Code									
Color Dot	Violet	Black	Yellow	Orange	Blue	White	Green	Red	Grey
Code	EI	JI	KA	NA	TA	UI	RA	C	BI
DIN Color Code									
Color Dot		Blue	Green		Brown		White		Grey
Code		JD	KI		TI		RD		BI

Panel Accessories



Panel Bracket Mini

Application: Mounting a mini connector to use as a high temperature panel insert.

Construction: RVS Bracket, screws and nuts included.

Temperature rating:

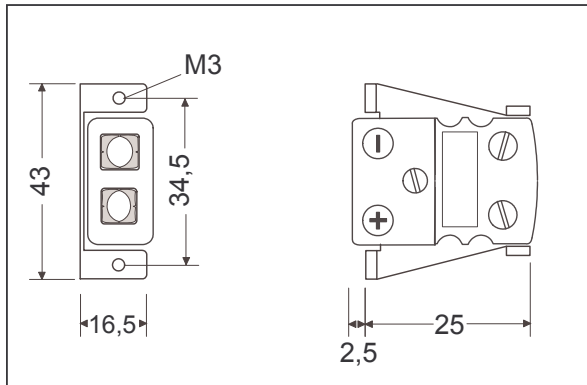
650 Deg. C Max. together with ceramic connector

350 Deg. C Max. together with high temperature connector

Part No.

A-20.210 Bracket for ceramic connector

A-20.210-2 Bracket for high temperature connector



Panel Bracket Standard

Application: Mounting a standard connector to use as a high temperature panel insert.

Construction: RVS Bracket, screws and nuts included.

Temperature rating:

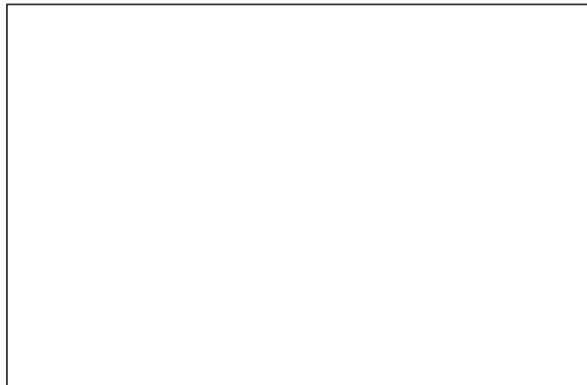
650 Deg. C Max. together with ceramic connector

350 Deg. C Max. together with high temperature connector

Part No.

A-20.209 Bracket for ceramic connector

A-20.209-2 Bracket for high temperature connector



Application: Mounting-set for fixing a maximum of six standard panel inserts to a customised panel.

Construction: 110 mm long rod with screws and panel blocks.

Part No.

A-20.248



kamet
thermoccomponents

Kamet Trading
Franciscusweg 9-10
1216 SK Hilversum

Tel. : +31 (0)35-628 2910
Fax : +31 (0)35-628 2912
E-mail : info@kamet-trading.nl
Internet : www.kamet-trading.nl