

Connection head type L and terminal block



Connection head type ML

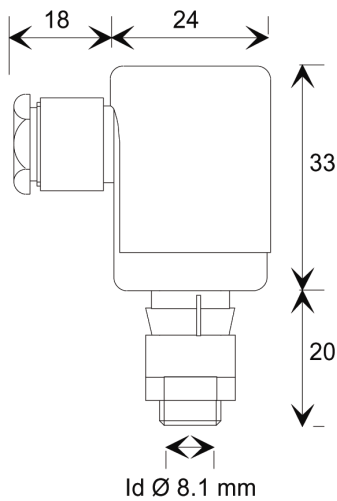
Connection head type ML is specially designed to mount (press or glue) a ceramic protection tube directly inside the connection head. Mainly used for laboratory and small furnace applications.



Material of body and cover: brass galvanized
Coating: non existing
Protection degree: maximum IP 54
Cable gland PG7

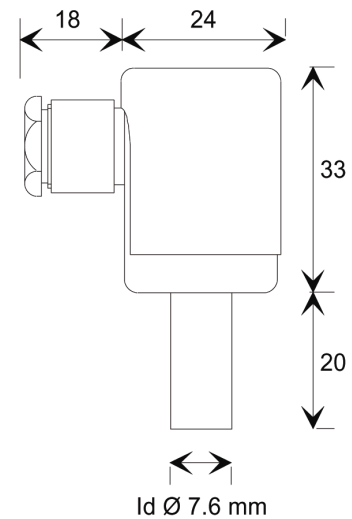
Type A : with a compression fitting for mount a ceramic tube directly inside the connection head

Typ B : gluing the ceramic tube directly inside the connection head

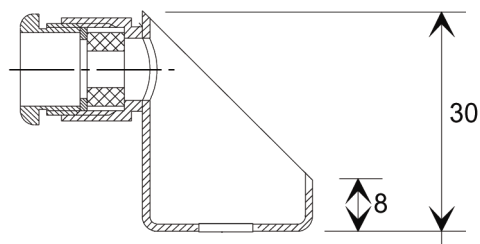


Terminal blocks for connections heads type ML on next page.

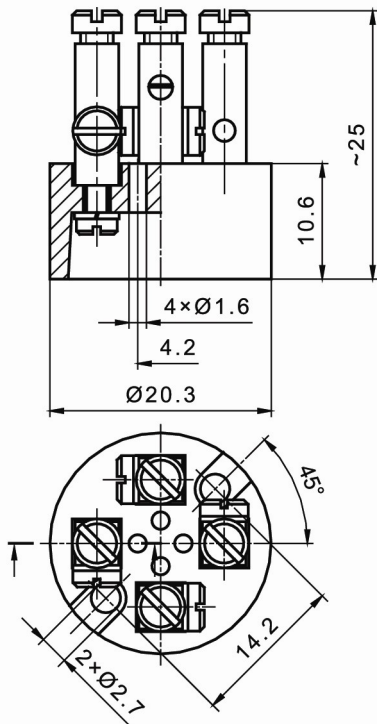
Ordering code Type ML-A



Ordering code Type ML-B



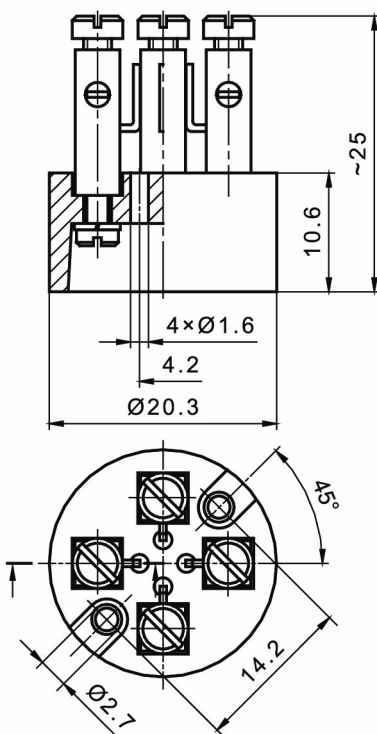
Terminal Block Type M2S-VS7



| Technical data | |
|--|--|
| Place to install | Connection heads with 14.2 mm mounting holes spacing |
| Way of install | Directly fixed to the connection head by M2,5 screws |
| Material of Block | Steatite C220 ac to IEC 60672-3 |
| Material of terminals | Nickle—plated brass |
| Max. number of terminals | 4 |
| Max. diameter of inside wire | Ø 1 mm |
| Way of connection inside wire to the terminals | By screwing |
| Ordering type | Number of terminals |
| M2S-VS7-2 | 2 |
| M2S-VS7-4 | 4 |

Mounting kit : KMD-14.2

Terminal Block Type M2S-VL5



| Technical data | |
|--|--|
| Place to install | Connection heads with 14.2 mm mounting holes spacing |
| Way of install | Directly fixed to the connection head by M2,5 screws |
| Material of Block | Steatite C220 ac to IEC 60672-3 |
| Material of terminals | Nickle—plated brass |
| Max. number of terminals | 4 |
| Max. diameter of inside wire | Ø 1 mm |
| Way of connection inside wire to the terminals | By screwing |
| Ordering type | Number of terminals |
| M2S-VL5-2 | 2 |
| M2S-VL5-4 | 4 |

Mounting kit : KMD-14.2



kamet
thermoccomponents

Kamet Trading
Franciscusweg 9-10
1216 SK Hilversum

Tel. : +31 (0)35-628 2910
Fax : +31 (0)35-628 2912
E-mail : info@kamet-trading.nl
Internet : www.kamet-trading.nl